



AWNINGS | 6000

 breezefree

AWNINGS | 6000

AWNINGS | 6000

- 4 Introduction
- 6 Gallery
- 8 Dimensions
- 9 Details
- 10 Fixing Options
- 13 Fabric Colours
- 14 Metalwork Colours
- 15 Cassette Options
- 18 Branding
- 19 Remote Control



AWNINGS | 6000

Contract-quality folding-arm awnings, such as 6000 Awnings, are durable and stylish. They can be used to provide shade and shelter from light rain as well as adding a splash of colour or an opportunity to provide branding presence to a building façade.

- Increase visibility and attract passers by.
- Extend alfresco trading by providing shade and shelter from light rain.
- Allows an outdoor space to be used in the evenings and in colder conditions when combined with other products such as SmartScreens, heaters and lighting.
- Advertising and branding opportunities on the awning cover and valance.

Our most stylish folding-arm awning, the 6000 Awning's unique cassette can be customized to complement any environment and also completely conceals the awning when closed. Cutting-edge technology allows these remote controlled awnings to extend and retract in near-silence.

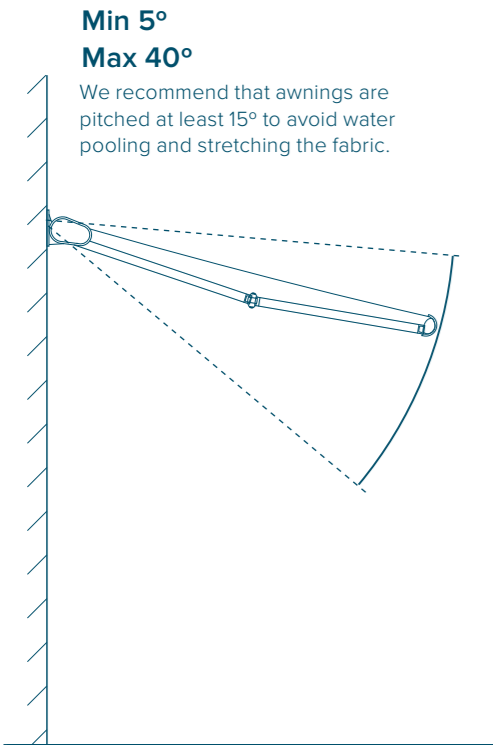
- A premium quality awning with a uniquely designed fully enclosed cassette.
- Fully customisable design features, cover and metalwork to suit any installation.
- Elegant, discrete bracket cowling, ensuring that design is of the utmost importance throughout.



AWNINGS | 6000

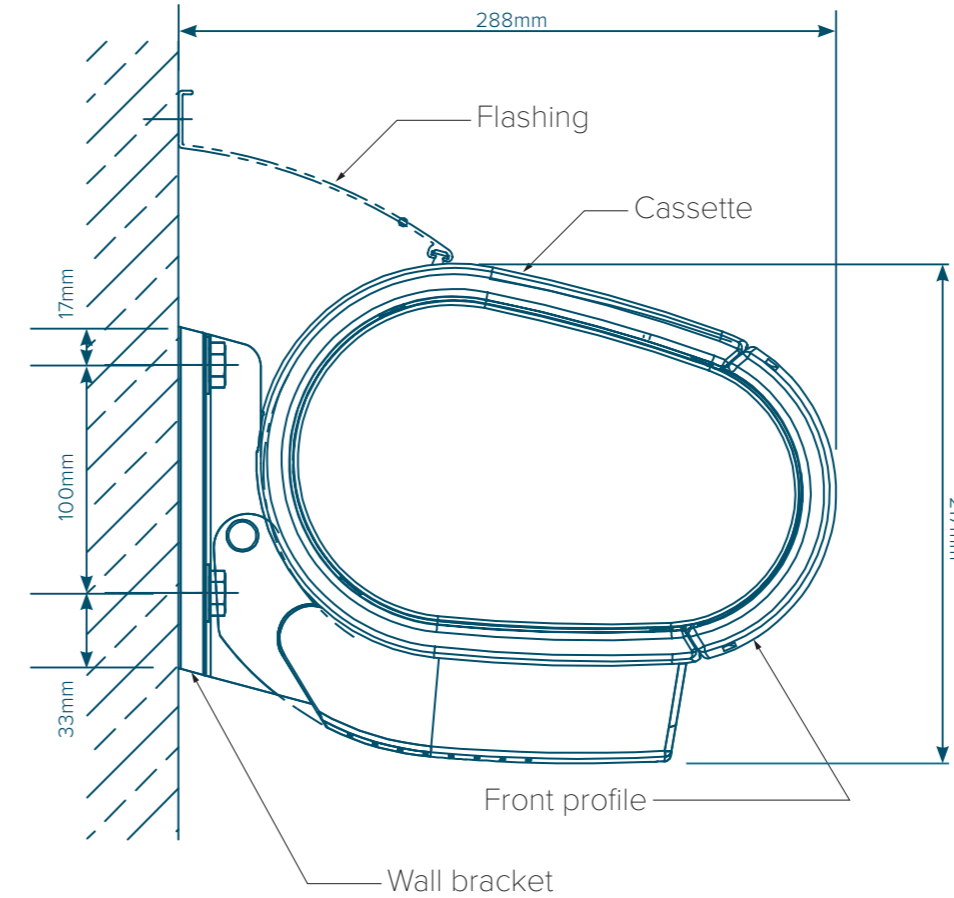


AWNINGS | 6000



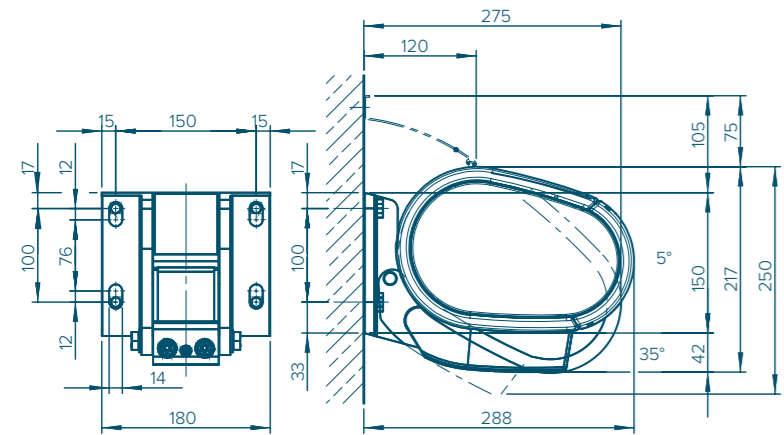
AWNING DIMENSIONS

WIDTH - mm	MAXIMUM PROJECTION - mm
2500 - 7000	1500
3000 - 7000	2000
3500 - 7000	2500
4000 - 7000	3000
4500 - 7000	3500
5000 - 7000	4000

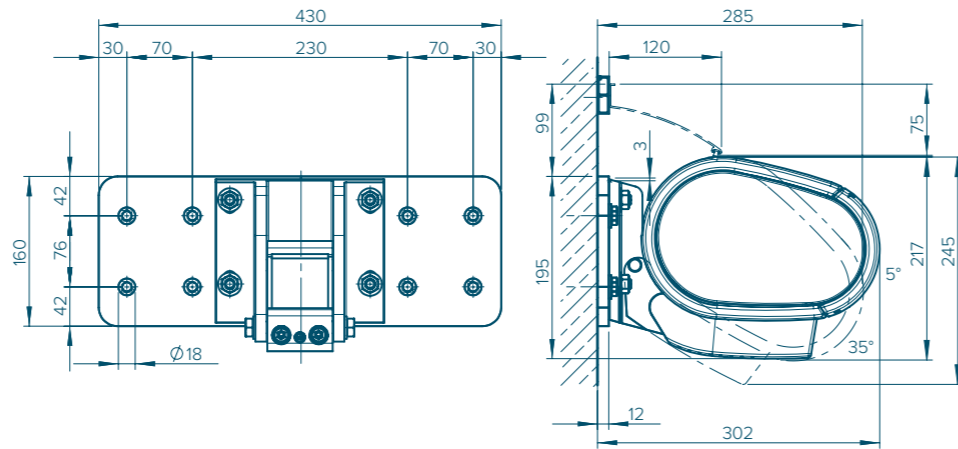


COVER FABRIC OPTIONS	LIMITATIONS
Sun-silk	
Acrylic 34	
Widely woven acrylic	Up to 3000mm projection Up to 5600mm width
Soltis 92	Up to 2500mm projection Up to 6100mm width
PVC Fabric	Up to 2500mm projection Up to 6100mm width

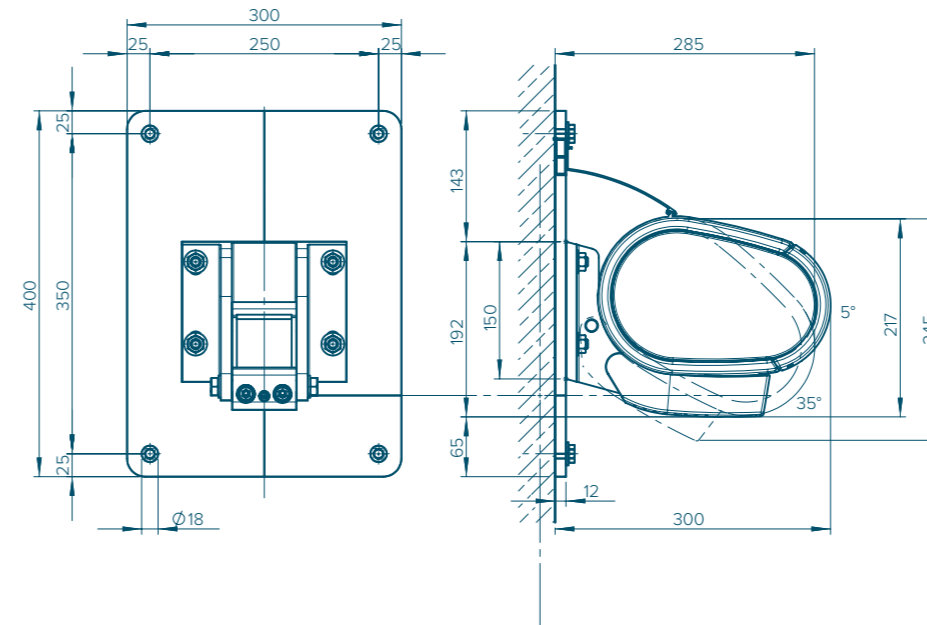
BACK FIXED



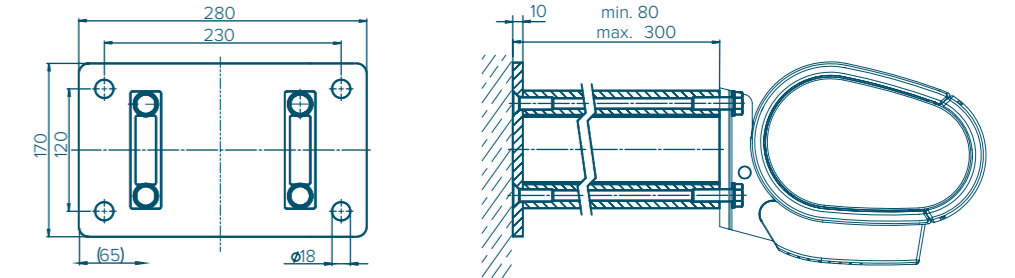
BACK FIXED WITH SPREADER PLATE (A)



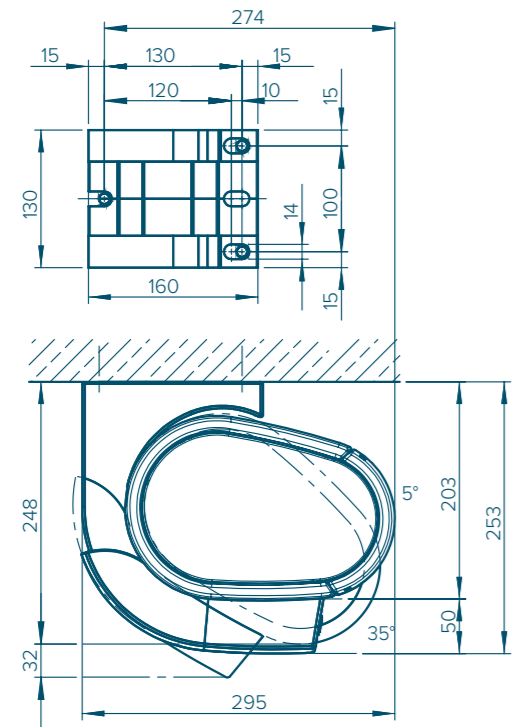
BACK FIXED WITH SPREADER PLATE (B)



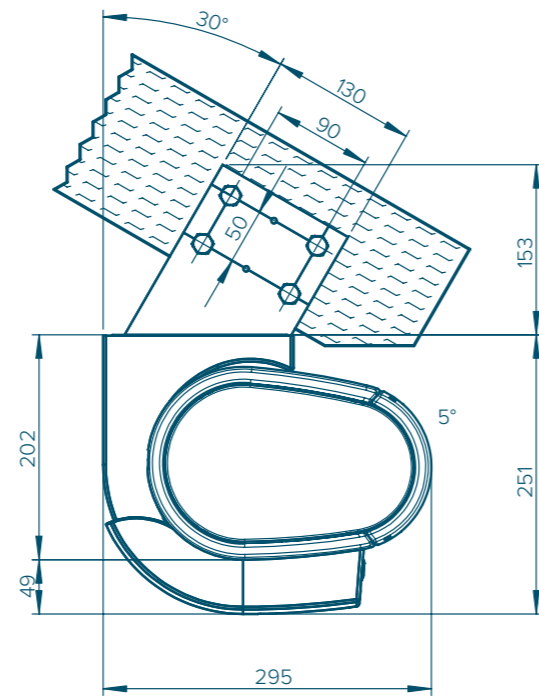
BACK FIXED STAND-OFF BRACKET



TOP FIXED



EAVES FIXED



STANDARD



Don't see the colour you want? Please contact our team and we'll do our best to find a match.
Please note: colours shown are indicative only. For an exact match, please contact Breezefree and request a physical sample.

STANDARD



RAL



Don't see the colour you want? Please contact our team and we'll do our best to find a match.
Please note: colours shown are indicative only. For an exact match, please contact Breezefree and request a physical sample.

WHITE RAL 9016



BLUE RAL 5005



YELLOW RAL 1003



RED RAL 3003



LIGHT GREEN



LIGHT BLUE



ORANGE



RED



STONE GREY



CHROME TRIM



STEEL MESH CAP



ANTHRACITE GREY



CHROME TRIM



GLOSS BLACK TRIM



CHROME TRIM, STEEL MESH CAP



STEEL MESH CAP



WOOD EFFECT CAP



Breezefree's print department will ensure that your awnings project your image effectively. The possibilities are almost limitless, from simple logos through to large, complex designs.



6000 Awnings can be manually operated or motorized and extended/retracted via remote control.

A single remote control can be programmed to control multiple awnings.

The motorised version of this model can also be supplied with a manual override option

