



AWNINGS | *topas*

 breezefree

AWNINGS | *topas*

# AWNINGS | *topas*

- 4 Introduction
- 5 Gallery
- 10 Features & Components
- 12 Dimensions
- 13 Details
- 15 Fixing Options
- 16 Fabric Colours
- 17 Metalwork Colours
- 18 Branding
- 19 Remote Control



## AWNINGS | *topas*

Contract-quality folding-arm awnings, such as our Topas Awnings, are durable and stylish. They can be used to provide shade and shelter from light rain as well as adding a splash of colour or a space for branding to a building facade.

- Increase visibility and attract passers by.
- Extend alfresco trading by providing shade and shelter from light rain.
- Allows an outdoor space to be used in the evenings and in colder conditions when combined with other products such as SmartScreens, heaters and lighting.
- Advertising and branding opportunities on the awning cover and valance.

AWNINGS | TOPAS



# yo! Sushi

Fresh! Japanese! Food!

competitions@yosushi.com  
with your contact details or tweet I love #YOHighStKen

**FANCY WORKING FOR US?**  
Whizz over your CV to yo.kensington@yosushi.com to be part of the UK's most exciting restaurant brand

## OPENS MAY 2014

早い、楽しい 美味しい

**SIGN UP** for the latest news & offers here:



IT'S HOT!



f t i s w  
yosushi.com

AWNINGS | TOPAS



Weinor

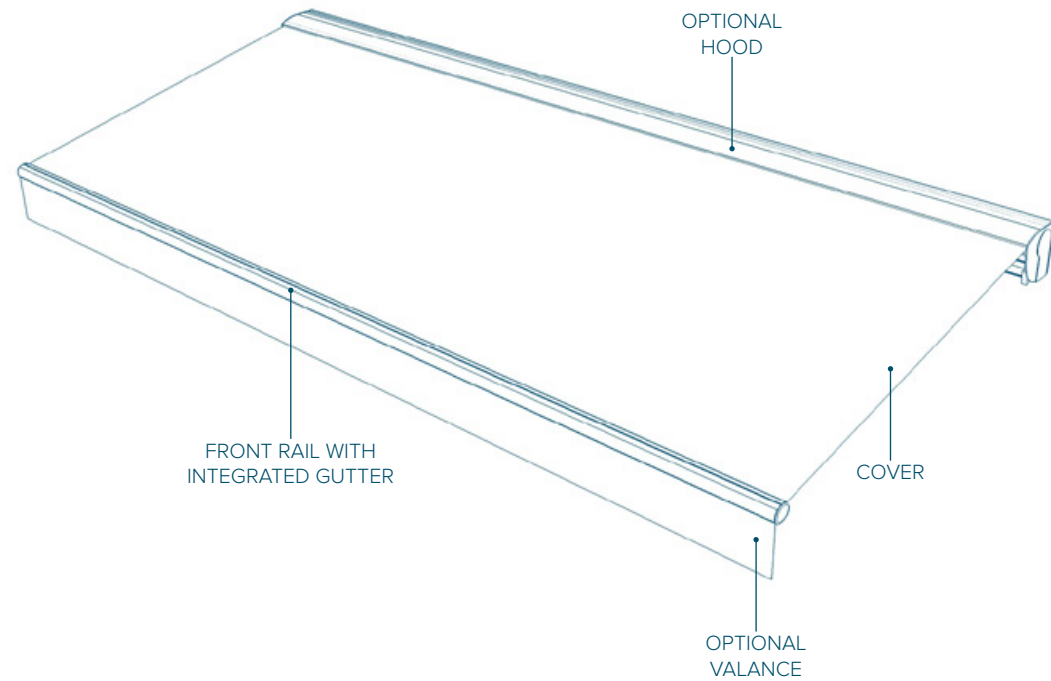


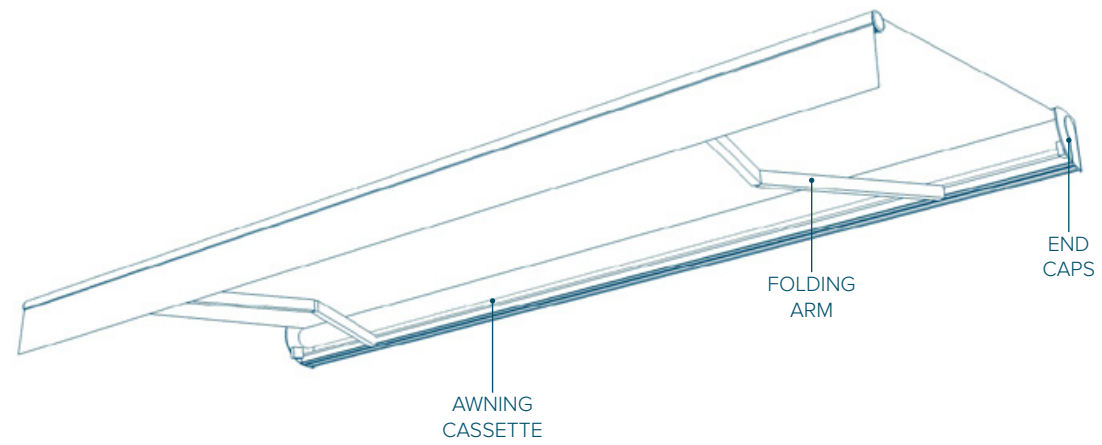


AWNINGS | TOPAS



- Available with or without hood.
- Gutter integrated into the front rail.
- Can be pitched up to 40°.
- High arm tension keeps the cover taut
- Awnings can be coupled to cover areas of any length.
- Huge selection of fabric colours and patterns available.
- Optional fabric valance.
- Cassette, hood and arms can be powder-coated in a wide range of colours.



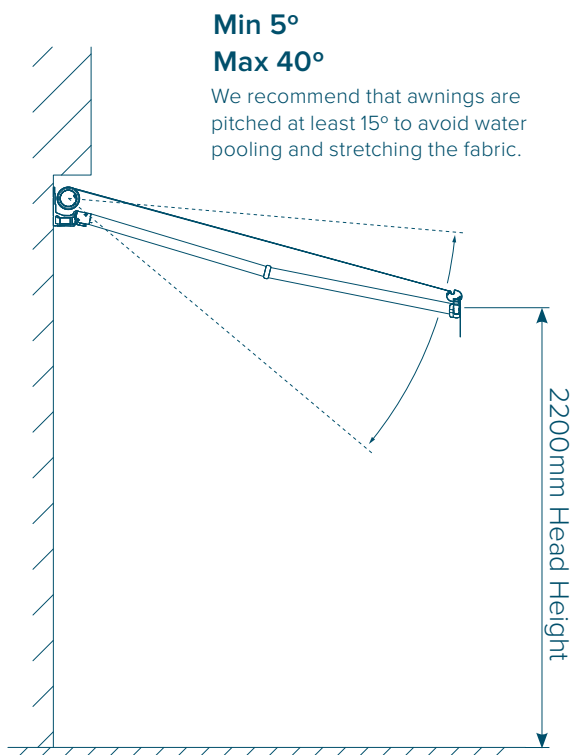


SINGLE AWNINGS

WIDTH - mm	NUMBER OF ARMS	MAXIMUM PROJECTION - mm
1850 - 2000	2	1500
2000 - 2500	2	2000
2500 - 3000	2	2500
3000 - 3500	2	3000
3500 - 4000	2	3500
4000 - 6500	2	4000
6500 - 7000	3	4000

DOUBLE AWNINGS

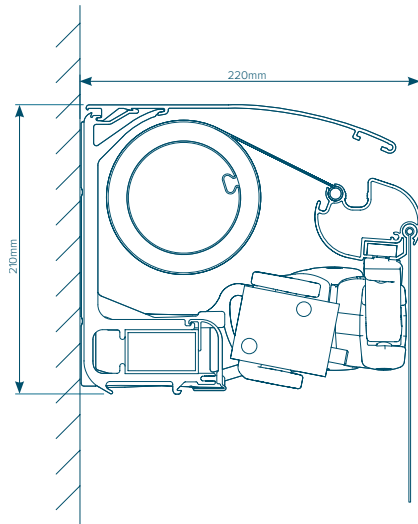
WIDTH - mm	NUMBER OF ARMS	MAXIMUM PROJECTION - mm
6000 - 6500	4	1500
65000 - 7500	4	2000
7500 - 8500	4	2500
8500 - 12000	4	3000



DRIVE OPTIONS
Crank Mechanism
Remote-controlled motor

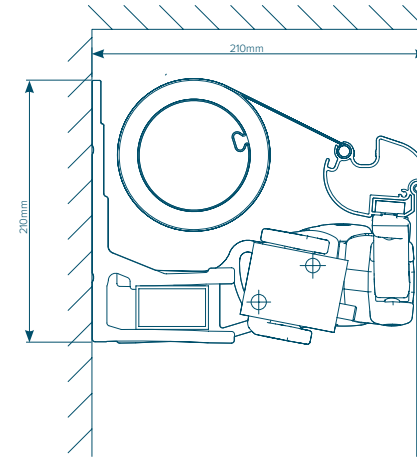
COVER FABRIC OPTIONS	FEATURES
Acrylic	Wide selection of uni-colour and impregnated watertight striped fabrics
Polyester	Colour-fast to avoid bleaching in sunlight. More light and wind-permiable than acrylic.

TOPAS WITH HOOD



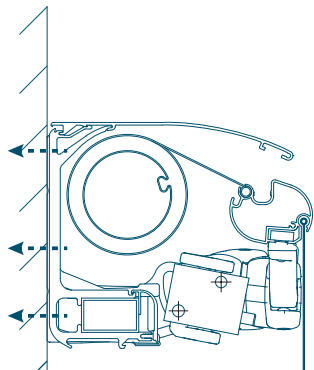
Can be fixed to a building wall and be left protruding.  
The Aluminium hood protects the awning cassette when closed.

TOPAS WITHOUT HOOD

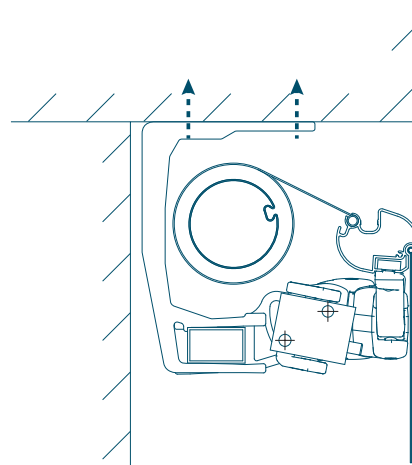


Best installed underneath a soffit to protect the exposed awning cassette.

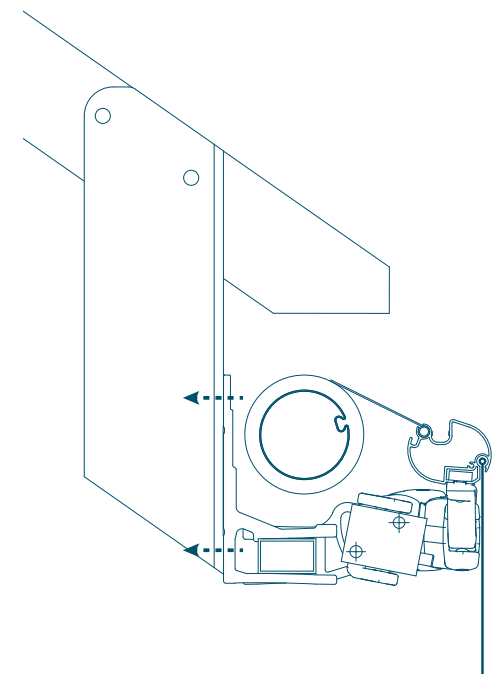
BACK FIXED



TOP FIXED



RAFTER FIXED





A | 3-871



A | 3-719



A | 3-873



A | 3-716



A | 3-501



P | 6-381



A | 3-884



P | 6-410



A | 3-830-240



P | 6-390



A | 3-832



P | 6-391



A | 3-836



P | 6-390



P | 6-394



A | 3-837



A | 3-838



P | 6-396



P | 6-335



A | 3-598



A | 3-842



A | 3-725



A | 3-864



P | 6-401



P | 6-399



P | 6-400



A | 3-853



A | 3-850



A | 3-859



P | 6-405



P | 6-403



P | 6-404

Don't see the colour you want? Please contact our team and we'll do our best to find a match.

**Please note:** colours shown are indicative only. For an exact match, please contact Breezefree and request a physical sample.





Sandy Yellow  
1002



Pastel Yellow  
1034



Traffic Yellow  
1023



Yellow Orange  
2000



Vermilion  
2002



Carmine Red  
3002



Magenta  
3004



Black Red  
3007



Blue Lilac  
4005



Signal Blue  
5005



Pigeon Blue  
5014



Night Blue  
5022



Moss Green  
6005



Fir Green  
6009



Reseda Green  
6011



Black Green  
6012



Slate Grey  
7015



Black Grey  
7021



Stone Grey  
7030



Pebble Grey  
7032



Light Grey  
7035



Quartz Grey  
7039



Window Grey  
7040



White

Don't see the colour you want? Please contact our team and we'll do our best to find a match.

**Please note:** colours shown are indicative only. For an exact match, please contact Breezefree and request a physical sample.

Breezefree's print department will ensure that your awnings project your image effectively. The possibilities are almost limitless, from simple logos through to large, complex designs.



Topas Awnings can be manually operated or motorized and extended/retracted via remote control.

A single remote control can be programmed to control multiple awnings.





Unit 7 Mitcham Industrial Estate  
Streatham Road  
Mitcham  
CR4 2AP

+44 (0)20 8877 3030 | [breezefree.com](http://breezefree.com)