



RIVER COTTAGE Canteen & Deli

RIVER COTTAGE CANTEEN & DELI

RIVER COTTAGE CANTEEN & DELI

RIVER COTTAGE CANTEEN & DELI



BARRIERS | SmartScreens

 breezefree

# BARRIERS | *SmartScreens*

# BARRIERS | *SmartScreens*

- 4 Introduction
- 5 Gallery
- 10 Panels
- 11 Branding
- 12 Canvas Colours
- 14 Posts
- 16 Bases
- 17 Ground Sockets
- 18 Safe & Secure

## BARRIERS | *SmartScreens*

Our most popular barrier system, SmartScreens are high-quality and designed and installed to suit your specific needs.

A variety of posts, panels and branding options will ensure that your alfresco area is as unique as your establishment and really stands out.

BARRIERS | SMARTSCREENS











BARRIERS | SMARTSCREENS



SmartScreen panels come in a variety of materials - including canvas in a variety of colours and a breathable, fully brandable mesh.

Panel lengths are made to order to ensure your SmartScreens fit your area perfectly.

| PANEL TYPE                 | MAX RECOMMENDED LENGTH |
|----------------------------|------------------------|
| Polyester & Acrylic Canvas | 2000mm                 |
| Reinforced & Clearview PVC |                        |
| Breathable Mesh            |                        |

Canvas panels can be branded with simple logos to promote your business or a brand.

Mesh and PVC Screens can be fully printed - perfect for complex designs or temporary promotions.

SmartScreens with branded canvas panels



SmartScreens with fully printed mesh panels





Chardon  
8778



Océan  
7264



Marine  
6022



Pink  
U170



Mauve  
8601



Cassis  
7554



Châtagne  
XXXX8207



Cerise  
6435



Rouge  
3914



Bordeaux  
8206



Vermilion  
0020



Jaune  
6316



Mandarine  
0867



Orange  
0018



Papaye  
8205



Paille  
7560



Citron  
7703



Vanille  
6610



Ecrû  
0001



Olive  
0853



Réséda  
6023



Absinthe  
8600



Fougère  
8201



Vert  
0003



Émeraude  
7297



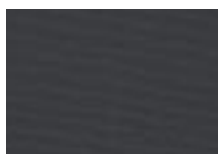
Amande  
7244



Menthe  
7557



Noir  
6028



Carbone  
U171



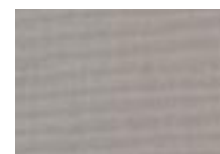
Ardoise  
8203



Pierre  
6196



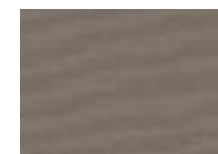
Argile  
U387



Gris  
6088



Argent  
7552



Taupe  
7559



Chanvre  
8200



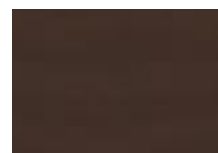
Beige  
8902



Grège  
6020



Chocolat  
U083



Brownie  
U224



Marron  
0613



Cacao  
8776



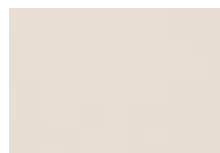
Toast  
8891



Dune  
0681



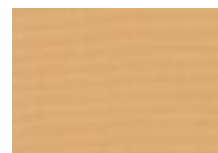
Ivoire  
7548



Naturel  
7133



Champagne  
0806



Blé  
6318



Sable  
0034



Safran  
8777



Turquoise  
6688



Bleuet  
8204



Paon  
8901



Foret  
6687



Azur  
U388



Méditerranée  
8202



Bleu  
0017



Bleu Nuit  
8238



Saphir  
6720

Don't see the colour you want? Please contact our team and we'll do our best to find a match.

**Please note:** colours shown are indicative only. For an exact match, please contact Breezefree and request a physical sample.

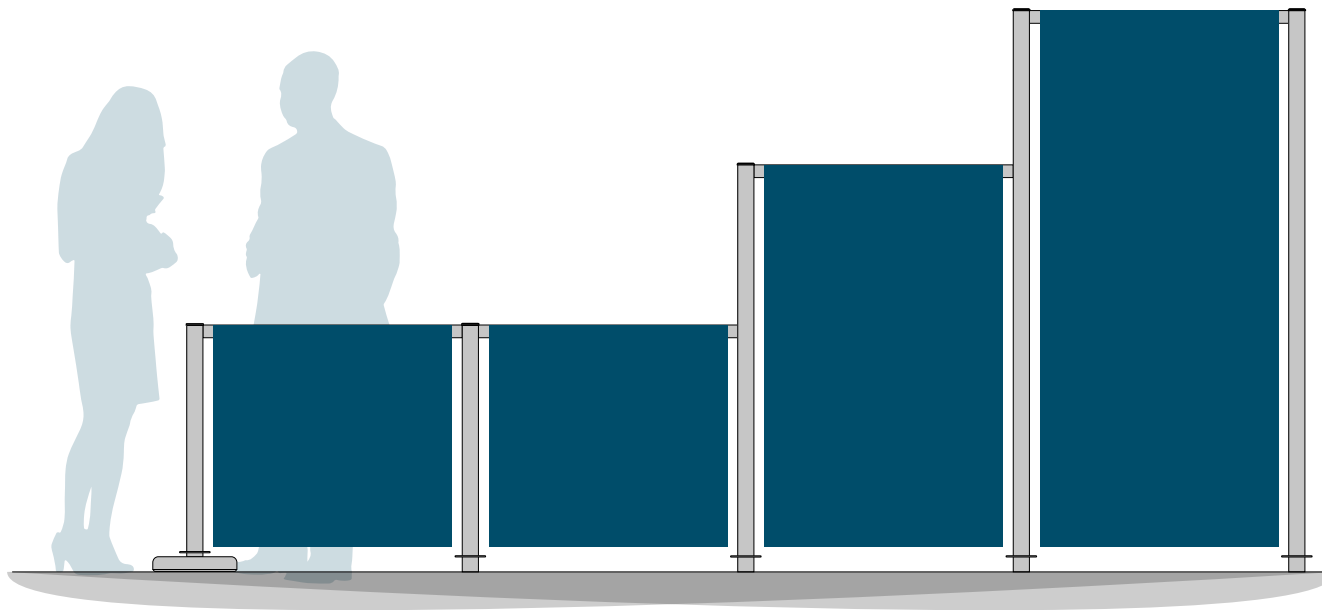
Made from 316 marine-grade Stainless Steel, SmartScreen posts are built to last and can withstand rigorous commercial use.

SmartScreens come in three standard Ranges: 97, 160 and 220.

The smaller posts can be supplied with either bases or ground sockets, while the taller posts are installed in ground sockets only, to ensure stability.

Posts can also be powder-coated almost any colour to give a unique look and complement your brand.

| RANGE | POST HEIGHT | BASES | GROUND SOCKETS |
|-------|-------------|-------|----------------|
| 97    | 970mm       | ✓     | ✓              |
| 160   | 1600mm      | ×     | ✓              |
| 220   | 2200mm      | ×     | ✓              |



Range 97 SmartScreens can either be supplied on bases, installed in ground sockets, or a combination of the two.

Bases come in a range of weights and diameters to suit different applications and environments - from 25Kg for standard use, to 38kg for windy sites.

| BASE TYPE      | WEIGHT | DIAMETER |
|----------------|--------|----------|
| Standard       | 25kg   | 330mmØ   |
| Wide           | 25kg   | 400mmØ   |
| Heavy Contract | 38kg   | 400mmØ   |

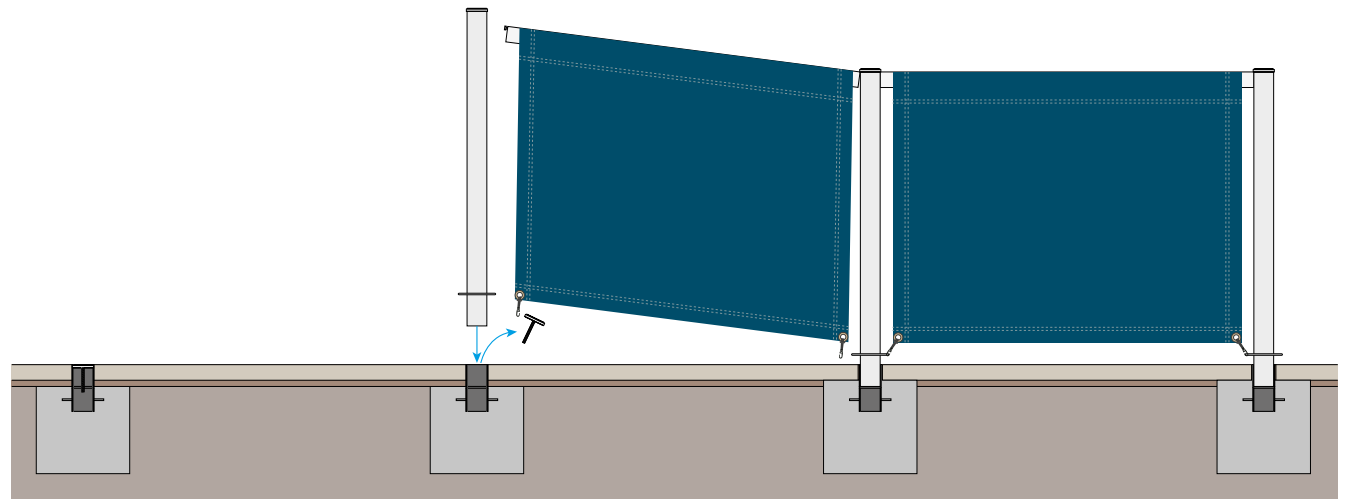
**NOTE:**  
**BASES ARE FOR RANGE 97**  
**SMARTSCREENS ONLY**



All our SmartScreens can be installed in ground sockets, providing a clean finish to any alfresco area and ensuring the space is maximised.

While ground sockets make the SmartScreens feel permanent, all equipment can be removed and sockets covered over easily, should you require the space to be flexible.

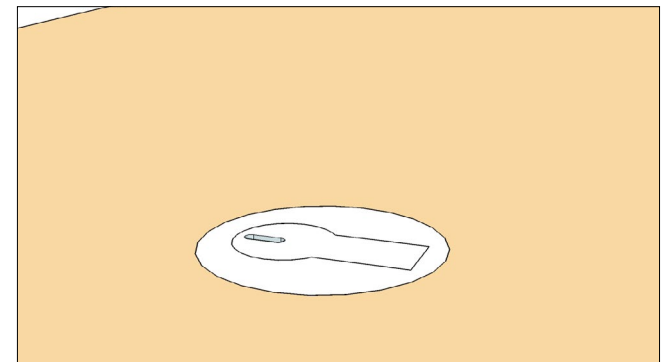
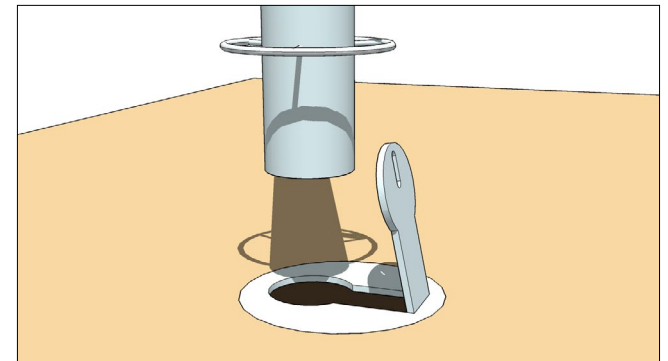
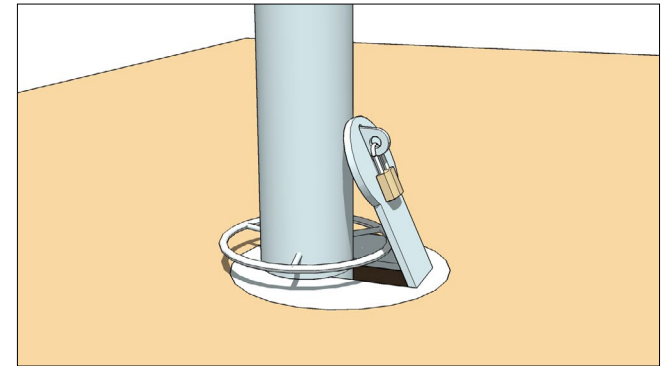
Ground sockets can be installed on a variety of surfaces, including in or along decking and up steps.



When SmartScreens are likely to be removed frequently, special “self-closing” ground sockets can be installed.

These come with a hinged lid which falls shut automatically when the post is removed, ensuring there are no trip hazards.

The posts can also be locked in place with a simple tab and padlock, ensuring extra security.







Unit 7 Mitcham Industrial Estate  
Streatham Road  
Mitcham  
CR4 2AP

+44 (0)20 8877 3030 | [breezefree.com](http://breezefree.com)