


GLASS ROOFS | *SolaGlide*

 **breezefree**

VERSATILITY + ELEGANCE IN MOTION

# SOLAGLIDE

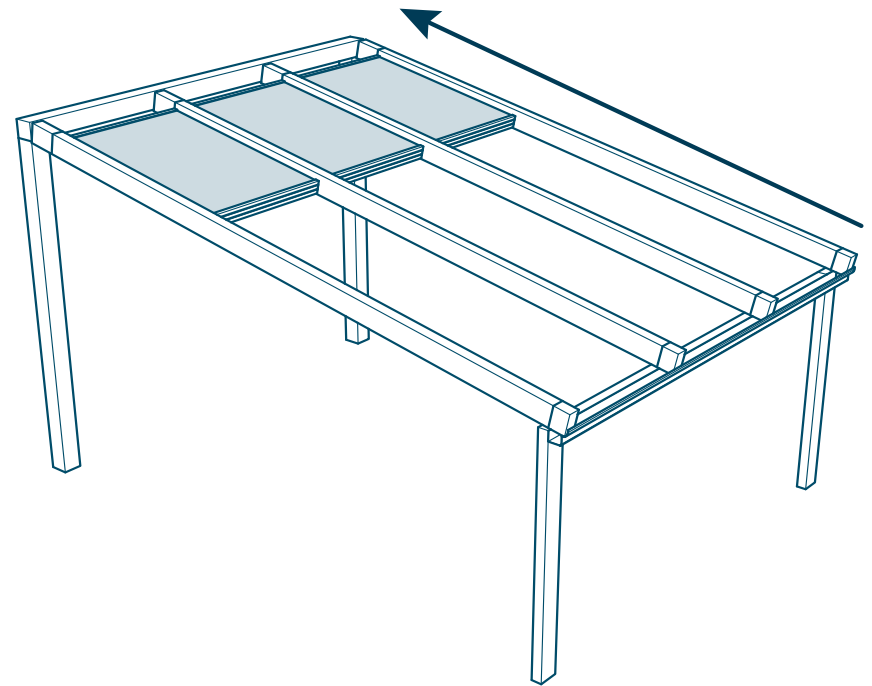
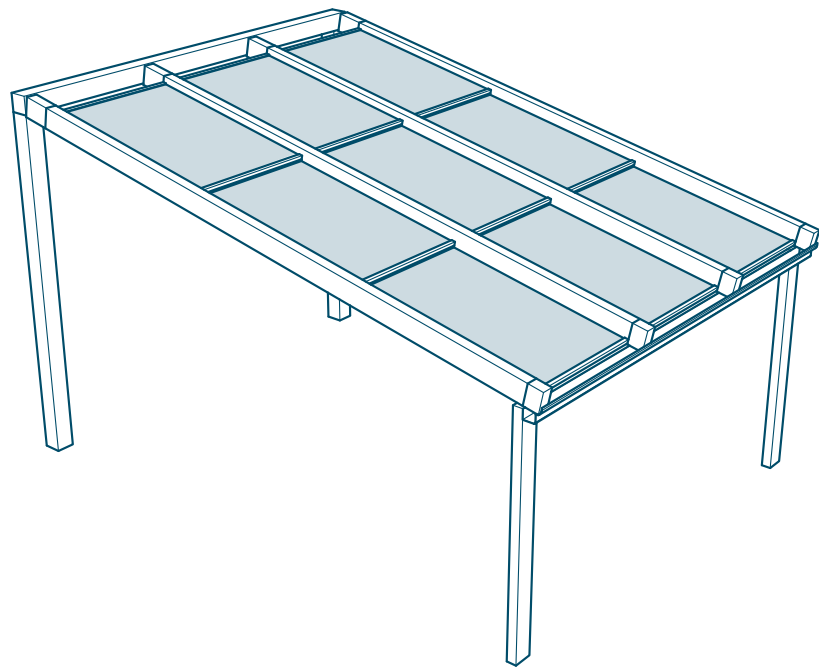
---

- 4 Introduction
- 6 Gallery
- 14 Specifications

# SOLAGLIDE

**SolaGlide** insulated sliding glass roofs represent a paradigm shift in retractable roofing. This system offers unprecedented versatility, with single-pitched projections up to 12m and unlimited widths. Smooth motorisation offers elegant retraction of the glass panels, neatly stacking them to the ridge or down to the eaves, maximising the potential for both insulated shelter and airy openness.

With frames available in any RAL colour, **SolaGlide** brings exciting new possibilities into design and architecture, such as fully retractable conservatory systems, when used in combination with **Panora View** sash windows and doors.



SOLAGLIDE







SOLAGLIDE





SOLAGLIDE



SOLAGLIDE





SOLAGLIDE

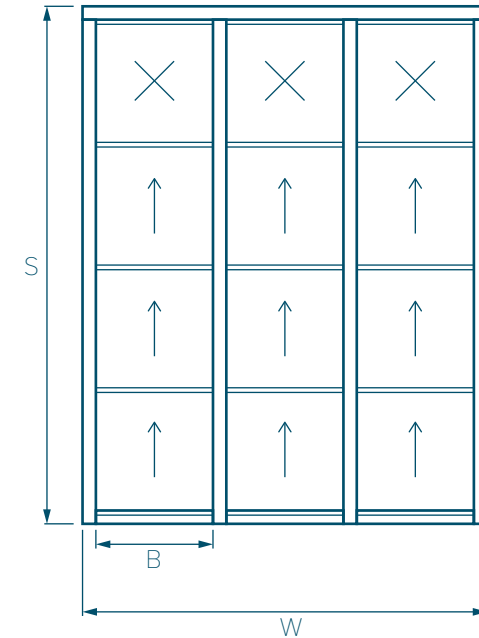
SOLAGLIDE



**SolaGlide** retractable sliding glass roofs are manufactured from three base models to meet site specific requirements and the end user's needs. The system achieves the highest wind and snow loadings with options of glazing opening up to the ridge or down to eaves.

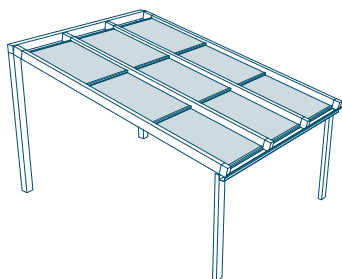
With manual or motorised operation, solaglide can be combined with **Panora View** doors and windows to provide insulated enclosure with flexible options for ventilation and access.

Solaglide with 75% opening

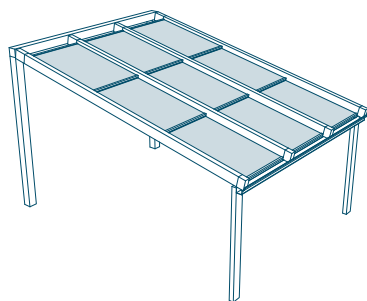
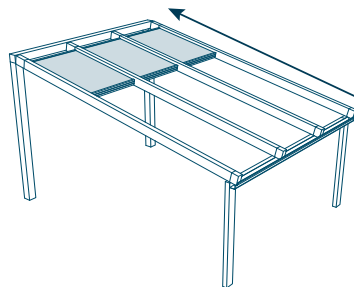


Max Span (S)	12m
Max Width (W)	Unlimited
Max Bay Width (B)	1.6m Polycarbonate 1.5m Glass
Opening	66% or 75%
Operation	Motorised or Manual
Glazing	Polycarbonate or Glass

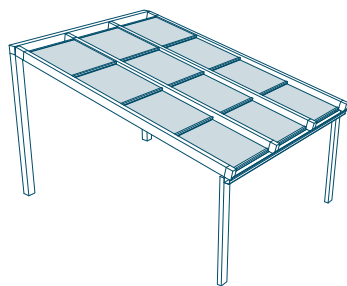
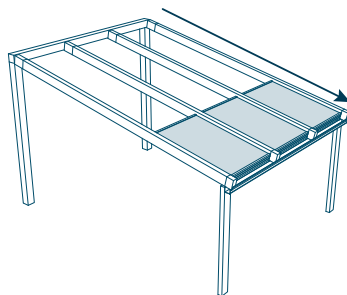
# SolaGlide



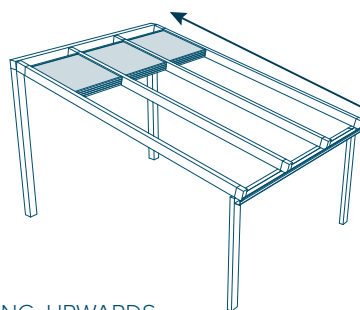
66% OPENING, UPWARDS



66% OPENING, DOWNWARDS



75% OPENING, UPWARDS





Unit 7 Mitcham Industrial Estate  
Streatham Road  
Mitcham  
CR4 2AP

+44 (0)20 8877 3030 | [breezefree.com](http://breezefree.com)