



LOUVRE | *large*

 breezefree

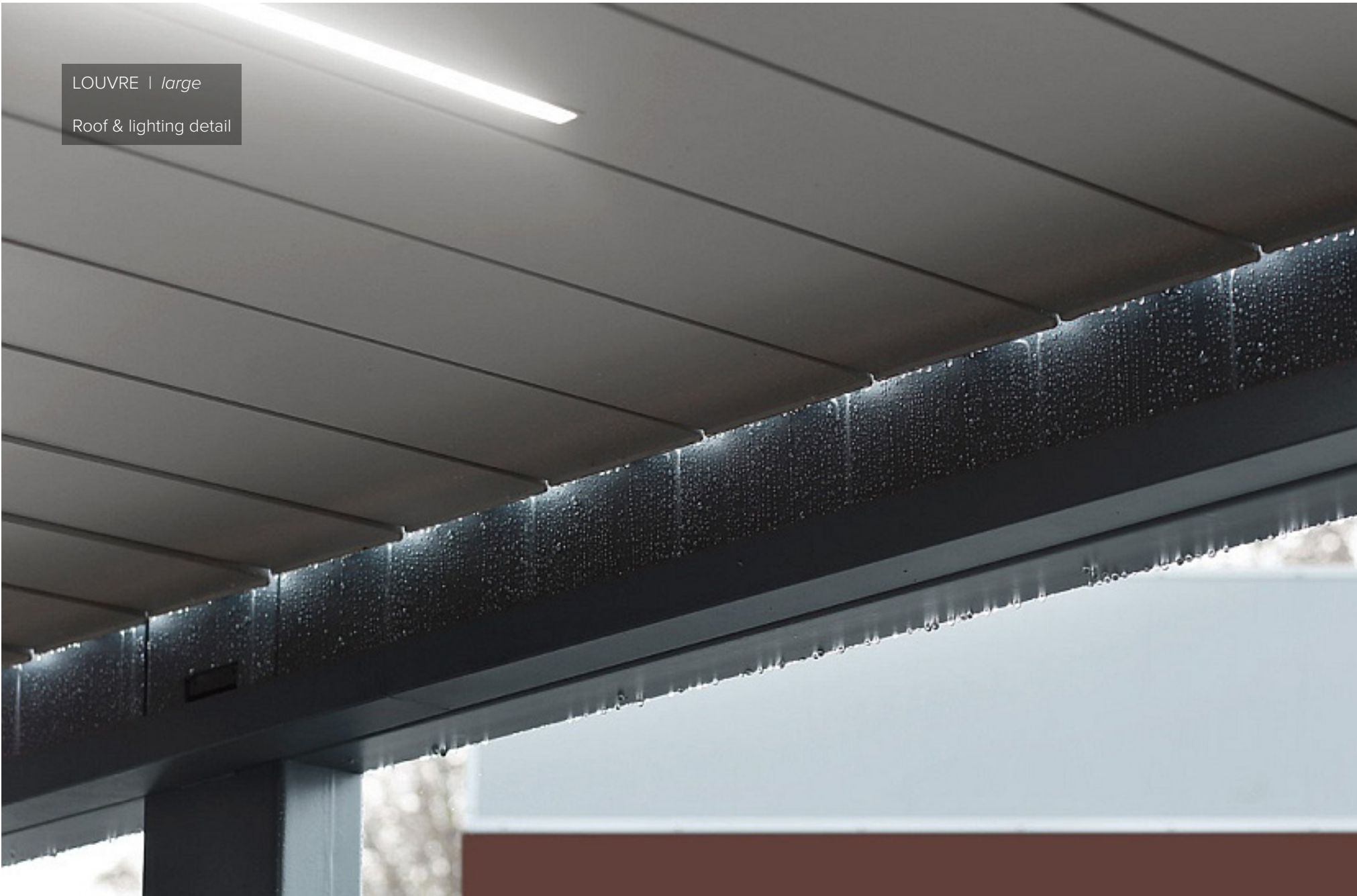
CONTENTS

4	Gallery
8	Standard Features
9	Optional Features
10	Blade Opening
12	Dimensions
14	Blade Span
15	Blade Bearing Capacity / Blade Deflection
16	Advantages of Steel
17	Corrosion Protection
18	Technical Details - Mounting
20	Technical Details - Water Exit

LOUVRE | large



LOUVRE | *large*
Roof & lighting detail



LOUVRE | large



LOUVRE | *large*

Roof & lighting detail

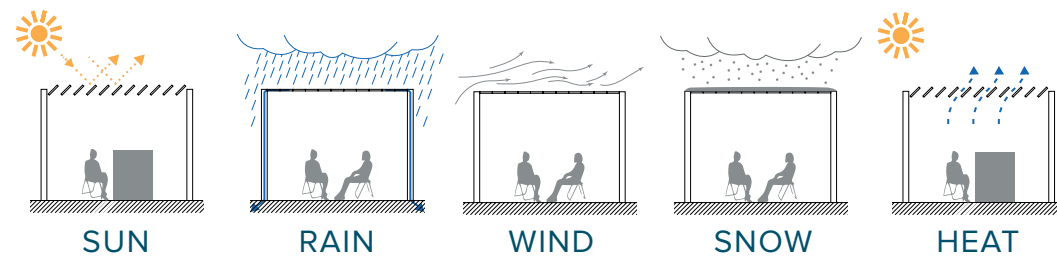


Breezefree Louvres are perfect for covering very large areas such as restaurants, exhibition spaces, terraces in front of hotels and playgrounds.

Using steel profiles in the **LOUVRE | *large***'s structure allows for more freedom when designing your space - with wider spans, greater overhangs and fewer support columns required. Stronger lamella louvre blades can also be specified, allowing for a 6.5m uninterrupted roof span.

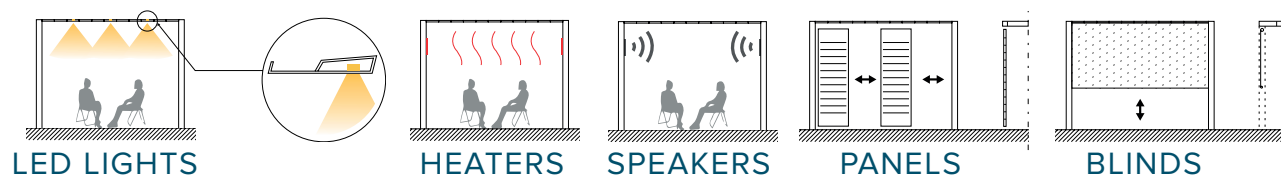
The **LOUVRE | *large*** can be equipped with all the accessories our other Louvres can take advantage of - such as lighting, heaters and vertical blinds - making it the premium choice in Louvred Roof Structures.

PROTECTION FROM:

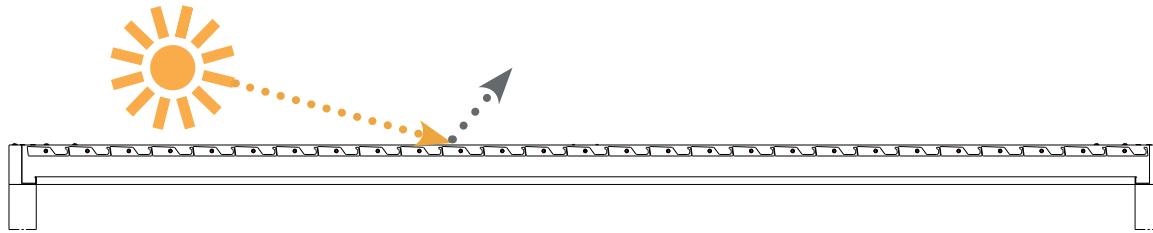


- Excellent balance of sun and shade.
- Aesthetically pleasing contemporary design with clean lines.
- Exceptionally strong with a long lifespan.
- Invisible mounting.
- Motor incorporated within the frame.
- Screws and pins in full stainless steel.
- Combination of steel and aluminium.
- Perfectly adapts to the environment.

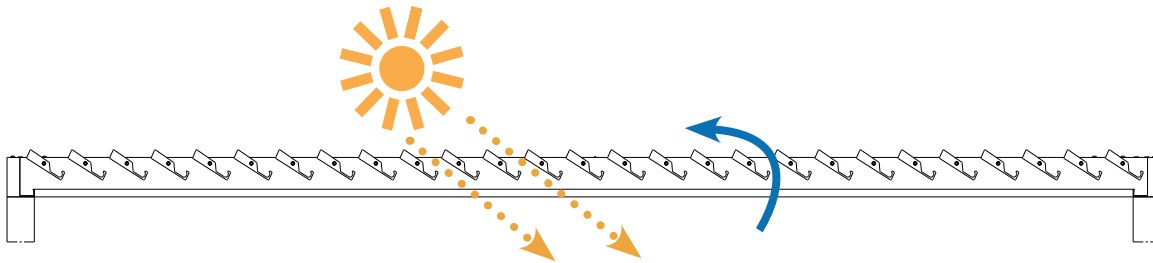
OPTIONAL FEATURES



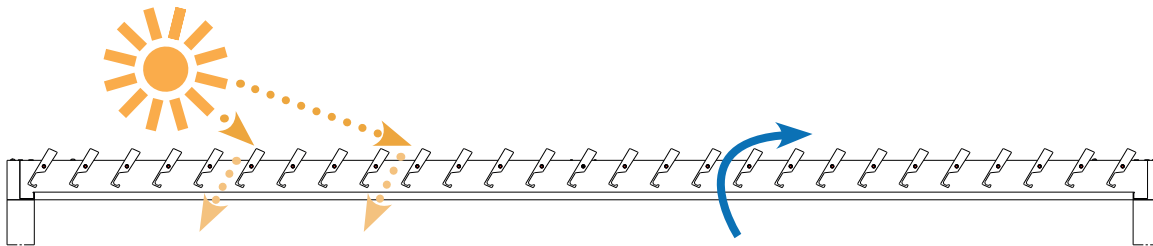
- Numerous additional options.
- LED lights incorporated into the blades.
- Wind, rain, snow and temperature sensors.
- Heaters.
- Sliding panels, vertical blinds.
- Perfectly adapted to your needs.



REFLECTED LIGHT

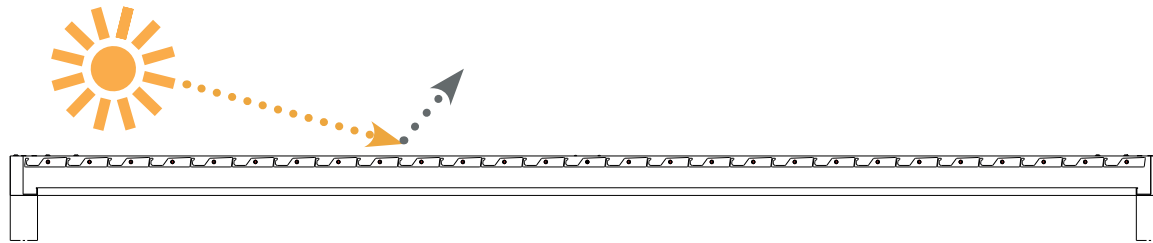


DIRECT LIGHT

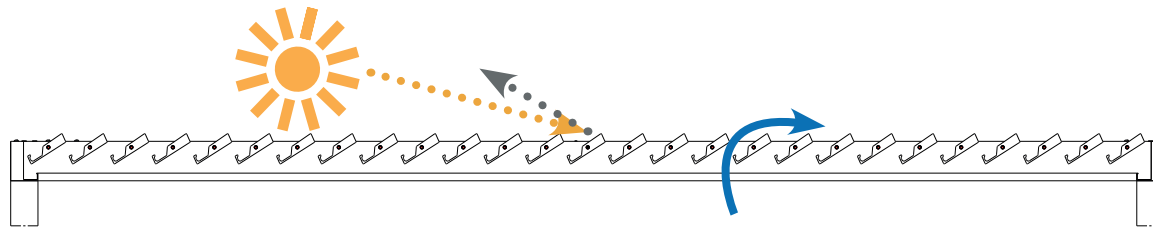


INDIRECT LIGHT

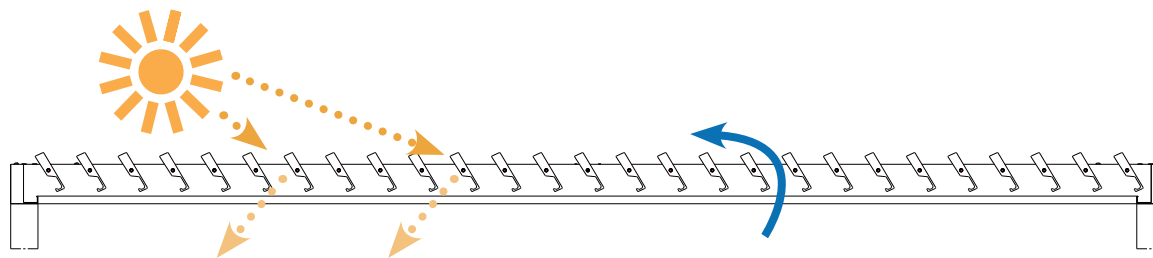
BLADE OPENING | B



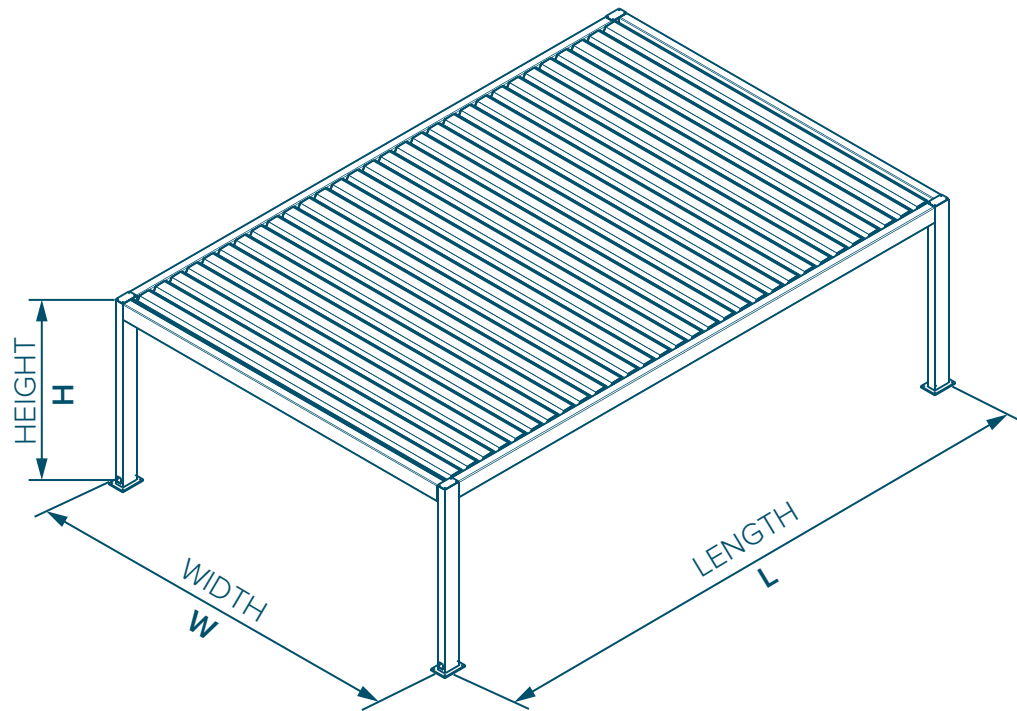
REFLECTED LIGHT



DIRECT LIGHT



INDIRECT LIGHT



	Max W	Max L
200/36	5m	10m
220/36	5m	12m
260/36	5m	15m
220/60	6.5m	11m
260/60	6.5m	14m

200/36

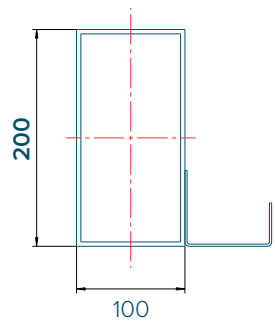
220/36

260/36

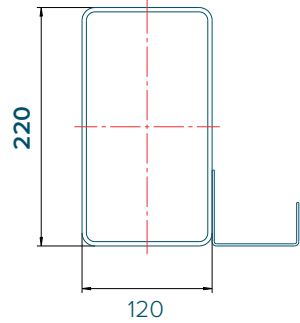
220/60

260/60

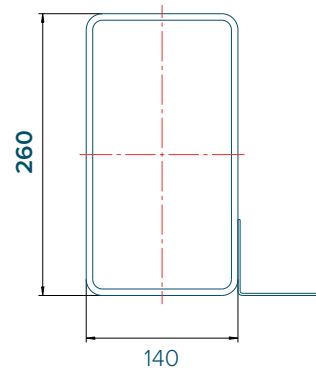
FRAME



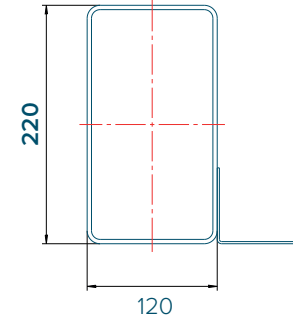
FRAME



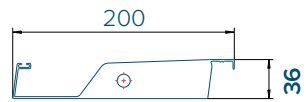
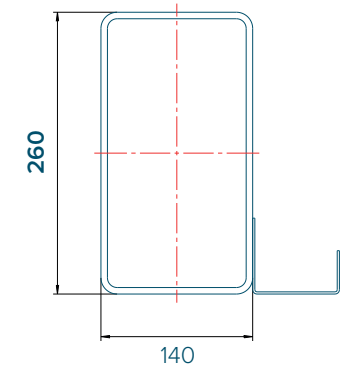
FRAME



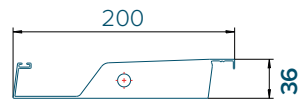
FRAME



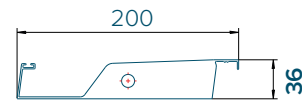
FRAME



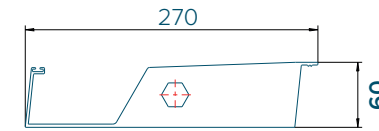
BLADE



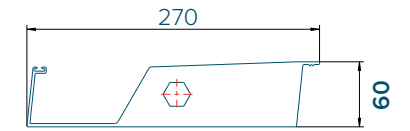
BLADE



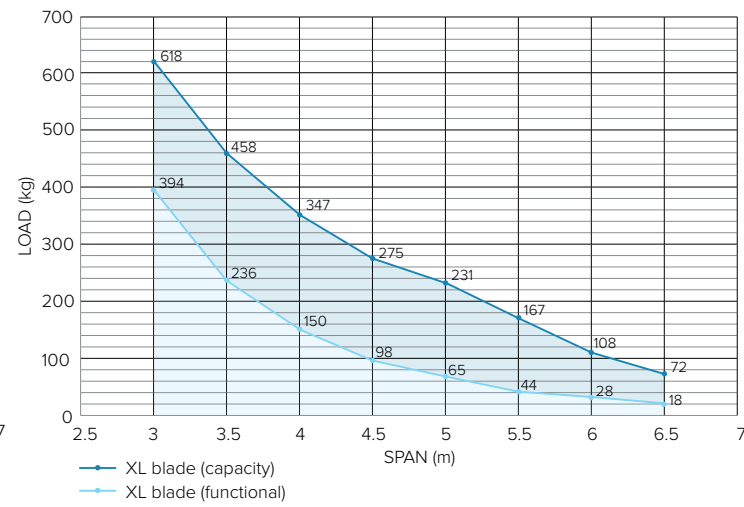
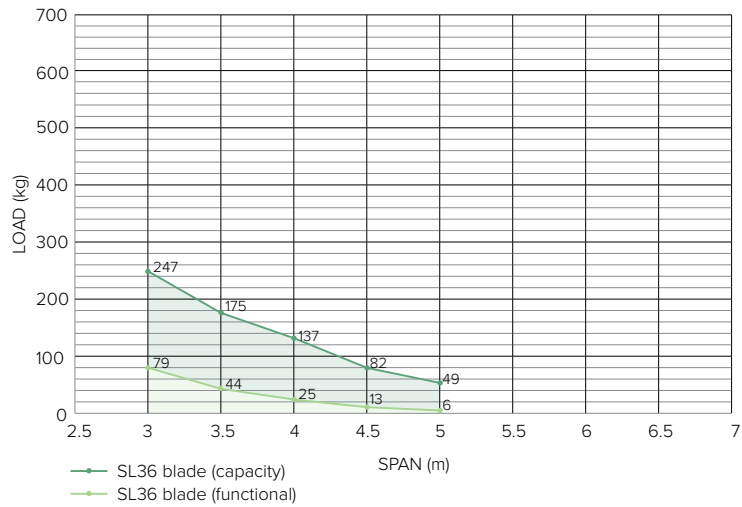
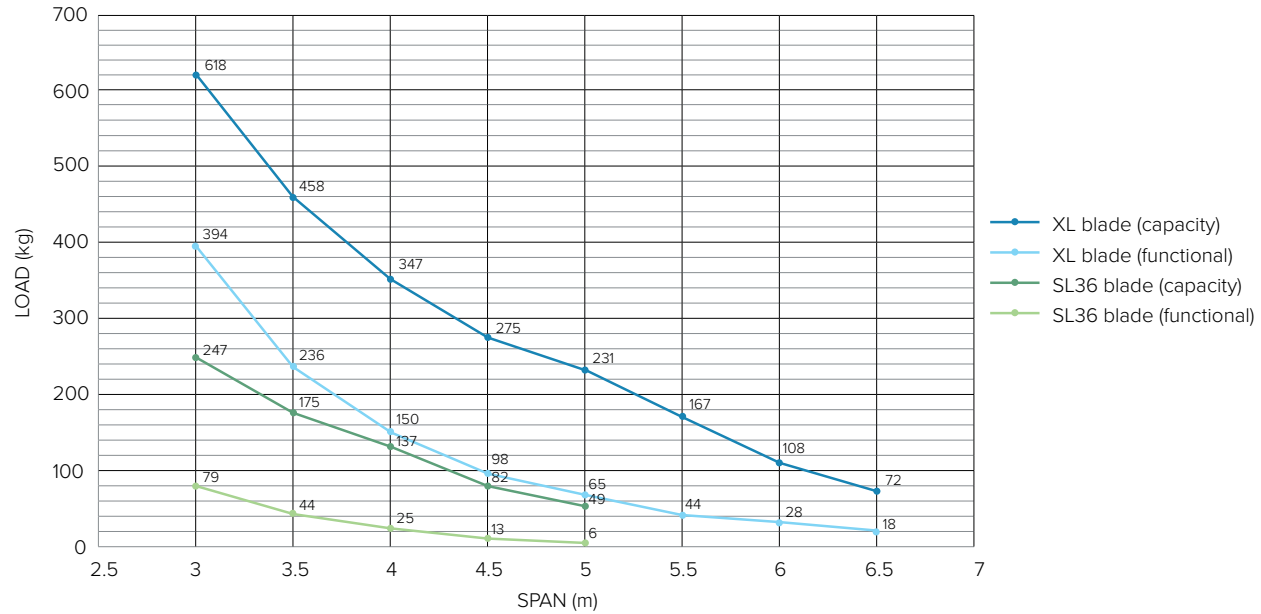
BLADE



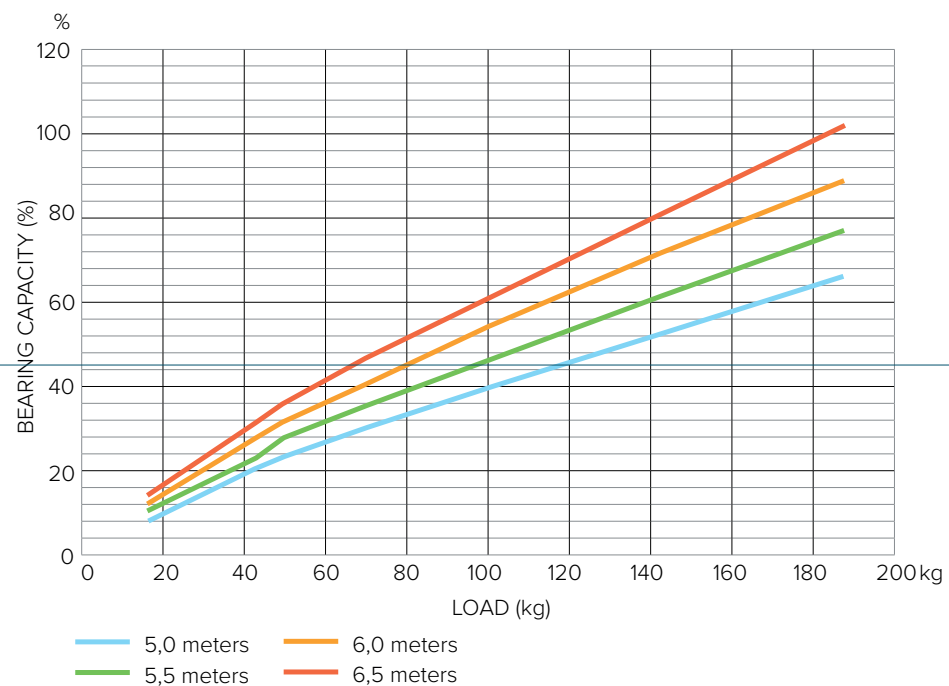
BLADE



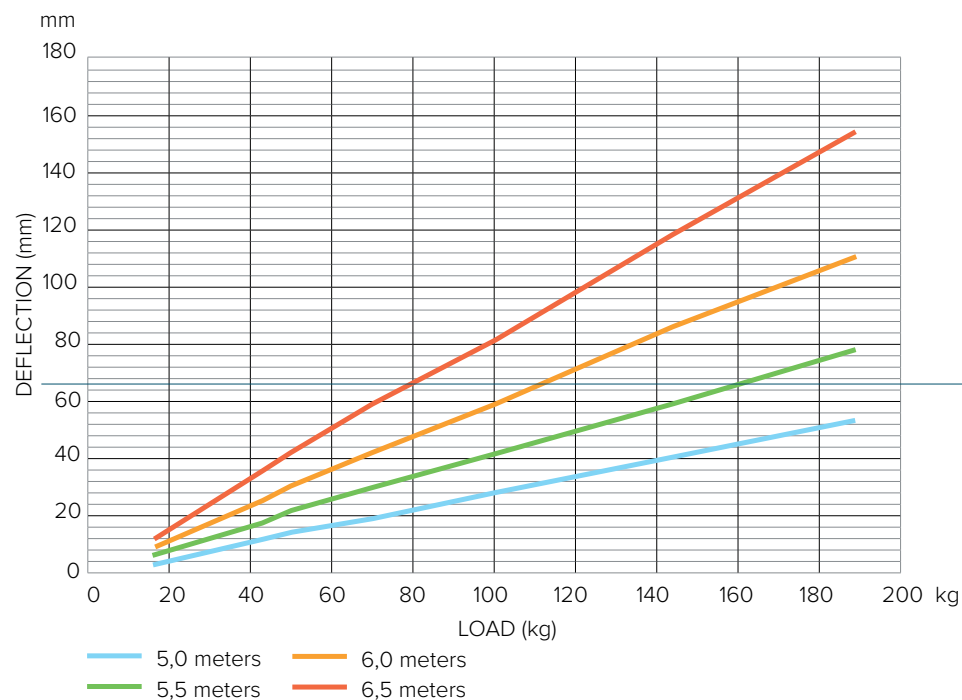
BLADE



BLADE BEARING CAPACITY



BLADE DEFLECTION



The maximum possible load chart is intended for user instructions providing information as with regards to the maximum static load capacity of the structure for the specific dimensions of the rotating blades. The two lines represent two limit load levels. The lower as the functional level (operation is not affected) and the higher as the capacity level (80% material capacity reached - operation can be affected).

In case of snow and for any other possible loads, it is recommended to remove any elements from the structure before operating. Customers should regularly check for and remove objects that might affect the operation of the structure or reduce its water discharge capacity. It is advisable to take at least 30kg of extra load into consideration.

STEEL / ALUMINIUM COMPARISON

The **LOUVRE | *large*** is made with steel profiles. Steel exhibits desirable physical properties which make it one of the most versatile structural materials available.

The material properties of steel vs aluminium make it the better material for the **LOUVRE | *large*** when used in demanding projects with longer spans, less columns and the need for unique geometry.

	STEEL	ALUMINIUM
STRENGTH	355 Mpa for S355 steel	120 Mpa for Aluminium EN AW-6060
WEIGHT	7850 kg/t	2700 kg/t
STIFFNESS	210 000 Mpa	70 000 Mpa

HIGH STRENGTH

Higher spans, less deflection, smaller profiles.

UNIFORMITY

Properties of steel do not change over time.

ELASTICITY

Steel can withstand extensive deformation without breaking.

TOUGHNESS

steel has both strength and ductility.

SUSTAINABILITY

Can be most easily recycled.

The **LOUVRE I *large*** steel structure has to be treated differently to standard aluminium structures. To protect the steel we use a high quality duplex system with approximately 80µm of hot dip zinc galvanisation, 50µm of epoxy primer and 60µm of polyurethane coating. The corrosion protection procedure is applied to the structure according to the standards EN ISO 12944-(1-8).

With the duplex chemical system we gain more chemical resistance, surface resistance and the highest overall life expectancy of the protection system.

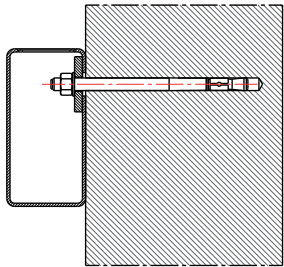
DURABILITY ACCORDING TO EN ISO 12944

LOW	2 - 5 years
MEDIUM	5 - 15 years
HIGH	More than 15 years

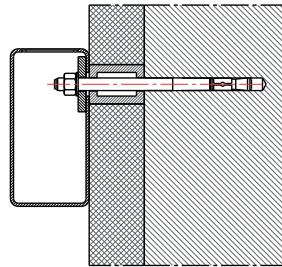
The used duplex protection satisfies the highest durability class of C3-H (high durability - more than 15 years).

WALL MOUNTING

STANDARD

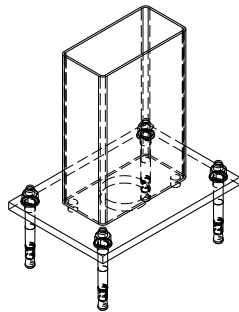


OPTIONAL

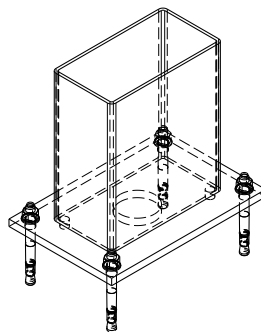


FOOT MOUNTING

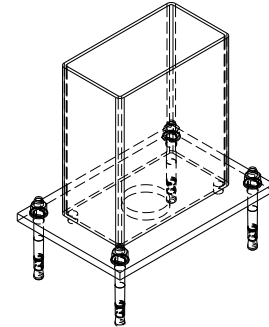
A



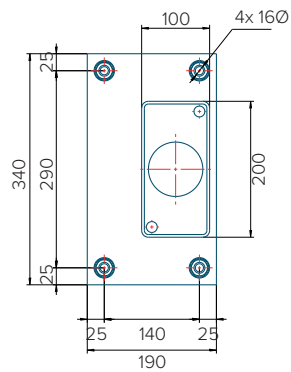
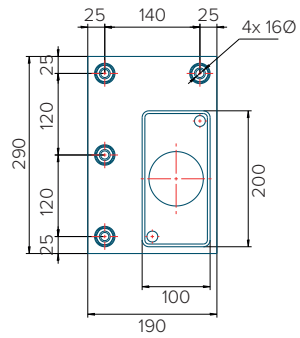
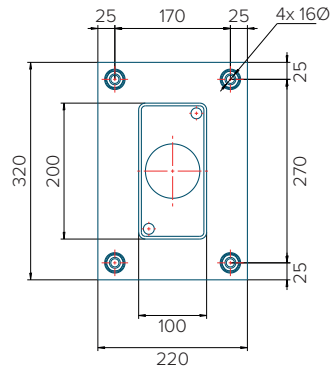
B



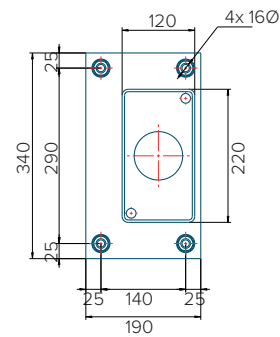
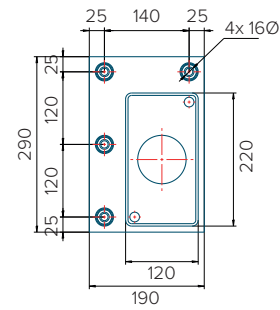
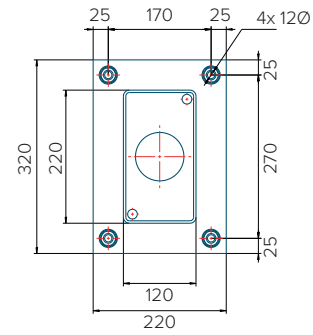
C



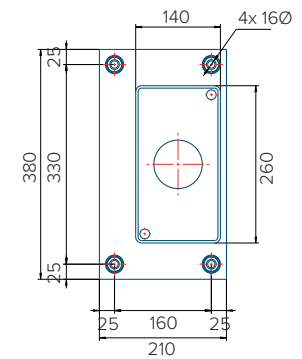
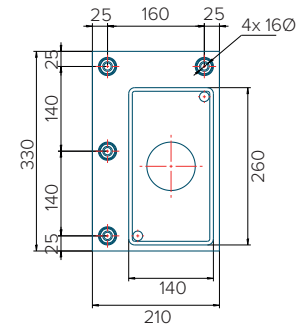
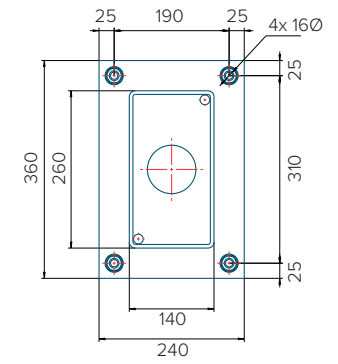
FOOT MOUNTING A

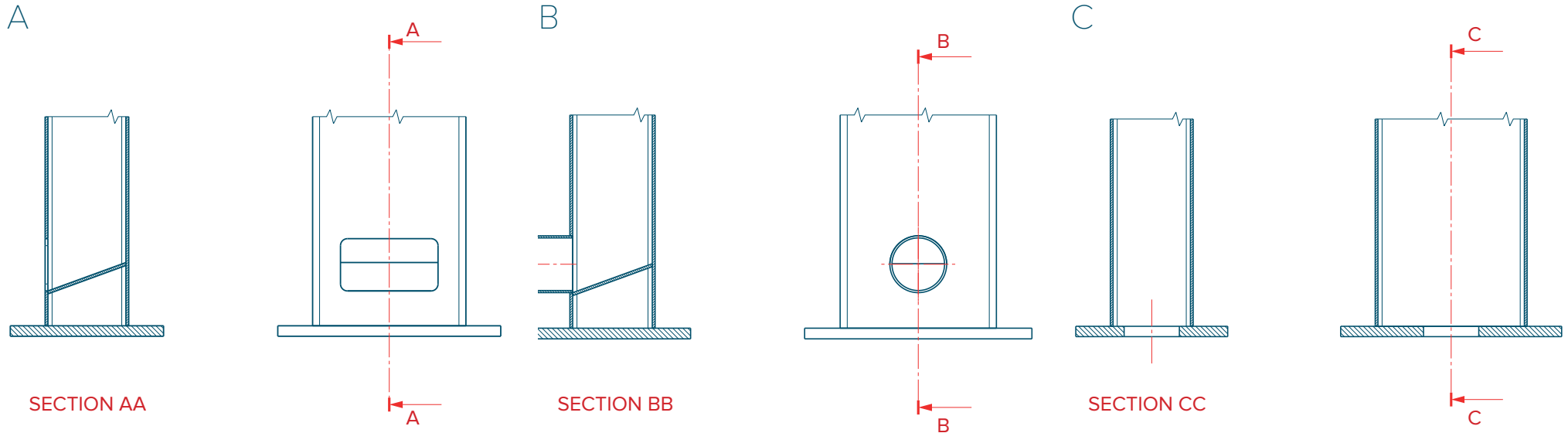


FOOT MOUNTING B



FOOT MOUNTING C







Unit 7 Mitcham Industrial Estate
Streatham Road
Mitcham
CR4 2AP

+44 (0)20 8877 3030 | [breezefree.com](https://www.breezefree.com)