



**MEMBERS STAND**



**DE MONTFORT UNIVERSITY**



**DE MONTFORT UNIVERSITY**



This Stand Is For Full Members Only

50 THE UK'S NO.1 FOR 50 YEARS

E-A-S-WINDOWS

rosscastors.co.uk

**ROSS**

**Nuffield Health**  
FOR THE LOVE OF LIFE®

breezefree



PARASOLS | Vortex

PARASOLS | *Vortex*

# PARASOLS | *Vortex*

- 4 Introduction
- 10 Sizes & Specifications
- 11 Fabric Canopies
- 12 Canopy Colours
- 14 Branding
- 15 Base Options
- 17 Heating
- 18 Lighting
- 19 Gutters
- 20 Sidesheets



## PARASOLS | *Vortex*

Designed for the most demanding environments and engineered to withstand sustained high wind gusts and driving rain over prolonged periods, Vortex is the ultimate contract grade parasol.

Vortex can be left open all year round, even in the harshest conditions, and closing is a simple operation using the removable rope and pulleys.

PARASOLS | Vortex



PARASOLS | Vortex



PARASOLS | *Vortex*



PARASOLS | *Vortex*





PARASOLS | Vortex

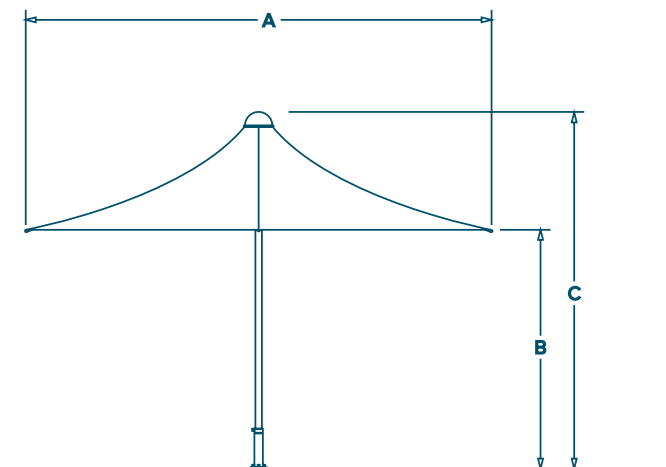


PARASOLS | Vortex



- Storm Force 11 resistant
- Maintenance-free
- Fire retardant canopy
- 100% waterproof
- Stainless steel frame
- Fully recyclable

SIZE (A)	Shape	Mast Diameter	Head Clearance (B)	Total Height (C)	Closed Clearance	Surface Area
2.8 m <sup>2</sup>	Square	76mm	2100mm	3200mm	1050	7.8m <sup>2</sup>
3.5 m <sup>2</sup>	Square	76mm	2270mm	3845mm	780mm	12.3m <sup>2</sup>
4.2 m <sup>2</sup>	Square	76mm	2270mm	3845mm	410mm	17.6m <sup>2</sup>
2.5m x 3.2m	Rectangle	76mm	2100mm	3200mm	1050mm	8m <sup>2</sup>
3m x 4m	Rectangle	76mm	2300mm	3845mm	740mm	12m <sup>2</sup>
3.7m x 4.8m	Rectangle	76mm	2270mm	3845mm	410mm	17.8m <sup>2</sup>
4mØ	Hexagonal	76mm	2100mm	3200mm	1050mm	12.5m <sup>2</sup>
5mØ	Hexagonal	76mm	2270mm	3485mm	780mm	19.6m <sup>2</sup>
6mØ	Hexagonal	76mm	2270mm	3845mm	410mm	128.3m <sup>2</sup>



Durable, colour-fast, UV resistant and 'self-cleaning' Ferrari 502 PVC reinforced polyester fabric canopies are easy to keep clean and carry a 5 year manufacturer's warranty to ensure years of dependable service.

- Available in 40 colours
- High tension canopy in Ferrari 502 reinforced PVC
- Fire retardant and waterproof
- 100% recyclable

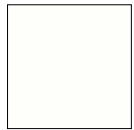
	Precontraint 502	Standards
Yarn	1100 dtex PES HT 4.21	
Weight	590 g/sqm	EN ISO 2286-2
Width	180cm	
Tensile Strength (wrap/weft)	250/250 daN/5cm	EN ISO 1421
Tear Strength	25/20 daN	DIN 53.365
Adhesion	9/9 daN 5 cm E	N ISO 2411a
Finish	Varnish both sides	
Flame Retardancy Rating	M2/NFP 92-507 • B1/DIN 4102-1 BS 7837 • 1530.3-AS/NZS • SP METHOD 2205 M2/UNE 23.727-90 VKF 5.3/SN 198898 • Schwerbrennbar Q1-Tri/ONORM A 3800 CLASSE 1/UNI 9177-87 METHOD 1/NFPA 701 • CSFM T19 • CLASS A/ASTM E84 G1/GOST 30244-94 • CAN/ULCS109	
Euroclass	B-s2,d0	EB 13501-1
Quality Management system		ISO 9001

With a choice of 52 colours, Vortex Parasols can be customised to create an eye-catching splash of colour, compliment an existing theme or enhance any environment.

Precontraint 502 Satin



Stam 6002



6002-20183



6002-10387



6002-20191



6002-20201



6002-20001



6002-20024



6002-20205



6002-20165



6002-20189



6002-20184



6002-20186



6002-20007

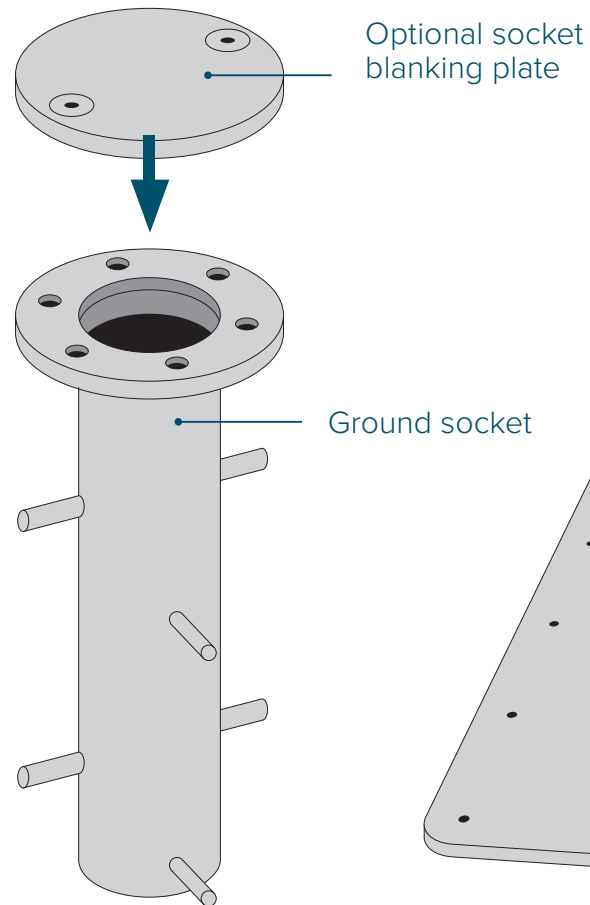
Canopies can be externally or internally branded with permanent logos or removable logos that can be applied for specific events, sponsorship or campaigns without changing the canopies.

Designed for all year round use, Vortex parasols are the perfect platform for high visibility advertising.

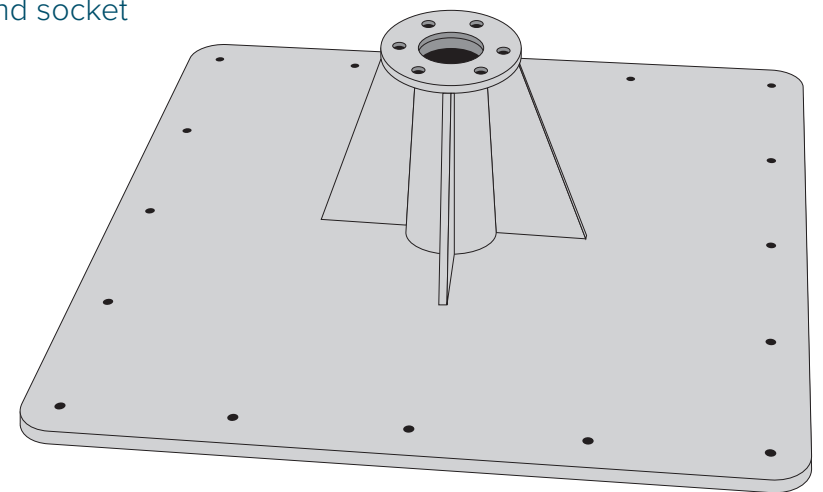


- Floor mounting
- Portable bases - weighted with removable blocks
- Ground sockets

Ground socket



Floor mounted base



- Weighted bases with cushion and stainless steel seat cover





The custom made electrical harness takes up to four low-glare 2.0kW short-wave infrared heaters, assuring customer warmth, whilst avoiding the complex, unsightly and potentially dangerous electrical looms found on popular contract giant parasols.



Up or down lighting can be easily mounted onto the parasol masts or LED strip-lights attached to the arms.

Fittings are waterproof and impact resistant, and allow for a highly creative approach to illuminating any alfresco space. We offer a bespoke design service and will advise upon the best available options.



Simple clip-on guttering weatherproofs between adjacent parasols providing rainproof cover with virtually any configuration of Vortex.



Full or partial enclosure options provide optimum shelter from the elements.

Roll-up, pole-suspended side sheets, available with zips for ease of use. Side sheets are tailor-made to suit site specific requirements with integrated skirting and along with flexible screen panels can incorporate Marine grade Clearview PVC windows and, in some cases, roll-up doors.





Unit 7 Mitcham Industrial Estate  
Streatham Road  
Mitcham  
CR4 2AP

+44 (0)20 8877 3030 | [breezefree.com](http://breezefree.com)