



PARASOLS | *samara*

 **breezefree**

IN PARTNERSHIP WITH  **LIBART**

PARASOLS | samara

CONTENTS

- 4 Gallery
- 6 Details
- 7 Operation
- 8 Sizes - Square
- 9 Sizes - Rectangular
- 10 Sizes - Round
- 11 Valances
- 12 Canopy Colours
- 14 Heaters
- 15 Portable Bases

PARASOLS | samara



PARASOLS | samara

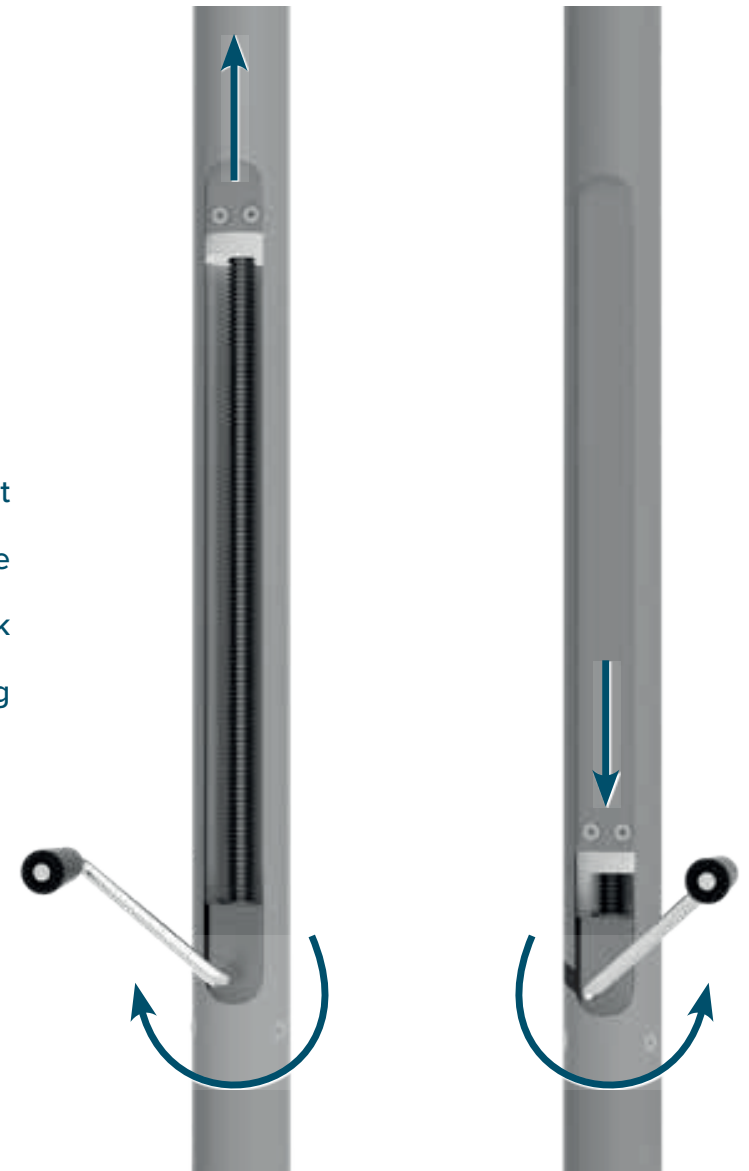


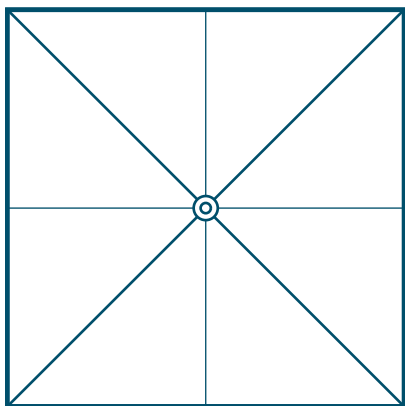
PARASOLS | *samara*

TECHNICAL DETAILS	Crank-operated spindle lift system including removable stainless steel crank
OPERATING TYPE MAST	Aluminium mast with 50 mm diameter and 3 mm wall thickness
MAST	Double-Layer power struts 30 x 15 x 2 mm with strut reinforcement
HUB	Aluminium in frame colour
FEATURES	Telescopic system
COVER	Premium acrylic awning fabric (other fabric qualities at extra cost)
FRAME	White RAL 9016, anthracite grey RAL 7016 or anodised silver, (other colours at extra charge)

Instead of the fragile cable systems of standard parasols, Samara has a smooth and reliable crank mechanism with spindle lift system inside the mast. This guarantees functional reliability for many years.

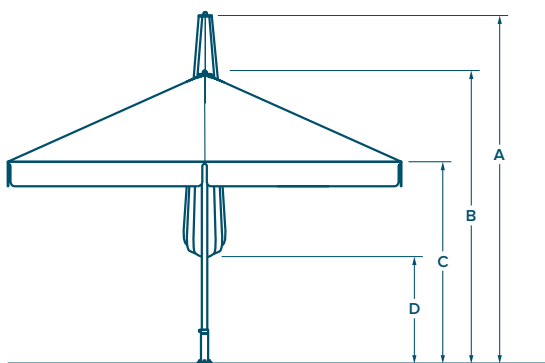
- Telescopic aluminium mast
- Rust-proof stainless steel spindle
- Removable stainless steel crank
- Gear box in aluminium casing



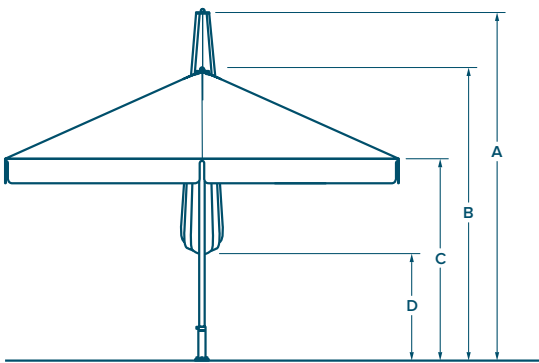
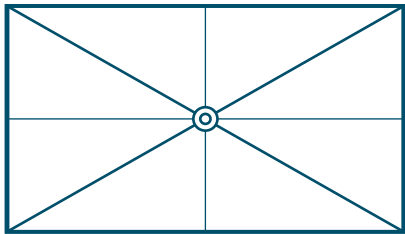


Square

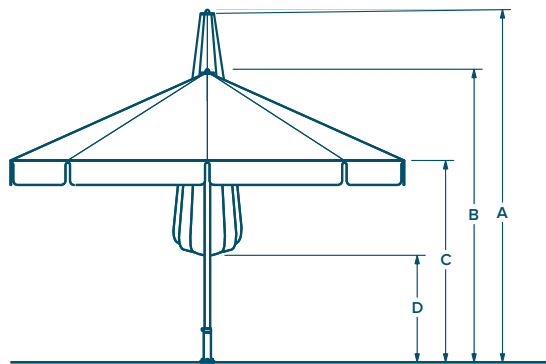
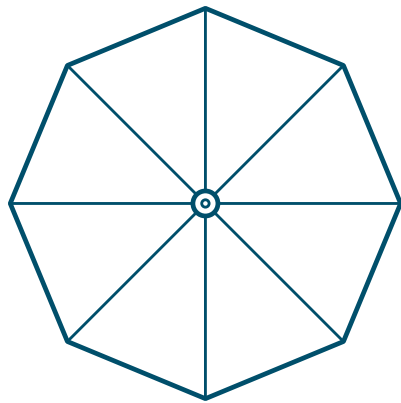
SIZE <i>m</i>	AREA <i>m</i> ²	CLOSED HEIGHT (A) <i>m</i>	OPEN HEIGHT (B) <i>m</i>	HEAD HEIGHT (C) <i>m</i>	CLEARANCE (D) <i>m</i>
2.5 x 2.5	6.25	3.34	2.73	2.25	1.52
3 x 3	9	3.48	2.83	2.25	1.3
3.5 x 3.5	12.25	3.61	2.91	2.25	1.06
4 x 4	16	3.76	3.01	2.25	0.84



Rectangle

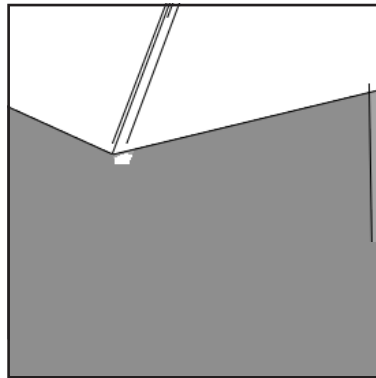


SIZE <i>m</i>	AREA <i>m</i> ²	CLOSED HEIGHT (A) <i>m</i>	OPEN HEIGHT (B) <i>m</i>	HEAD HEIGHT (C) <i>m</i>	CLEARANCE (D) <i>m</i>
2 x 3	6	3.35	2.74	2.25	1.49
2 x 3.5	7	3.53	2.8	2.25	1.46
2 x 4	8	3.58	2.85	2.25	1.27
2.5 x 3	7.5	3.45	2.78	2.25	1.44
2.5 x 3.5	8.75	3.58	2.83	2.25	1.36
2.5 x 4	10	3.61	2.88	2.25	1.18
3 x 3.5	10.5	3.58	2.87	2.25	1.2
3 x 4	12	3.69	2.91	2.25	1.11
3 x 4.5	13.5	3.73	2.97	2.25	0.94
3.5 x 4	13.75	3.72	2.95	2.25	0.98
3.5 x 4.5	15.75	3.76	3	2.25	0.82

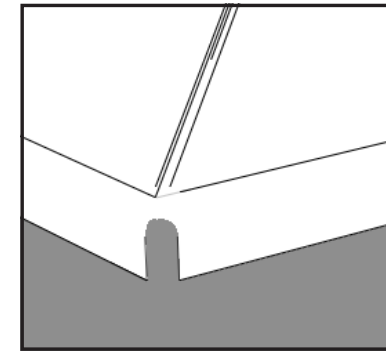


Round

DIAMETER <i>m</i>	AREA <i>m²</i>	CLOSED HEIGHT (A) <i>m</i>	OPEN HEIGHT (B) <i>m</i>	HEAD HEIGHT (C) <i>m</i>	CLEARANCE (D) <i>m</i>
2.5	4.9	3.27	2.6	2.26	2.03
3	7.1	3.3	2.66	2.25	1.79
3.5	9.6	3.42	2.73	2.25	1.65
4	12.6	3.49	2.79	2.25	1.46
4.5	15.9	3.63	2.86	2.25	1.34
5	19.6	3.7	2.92	2.25	1.15



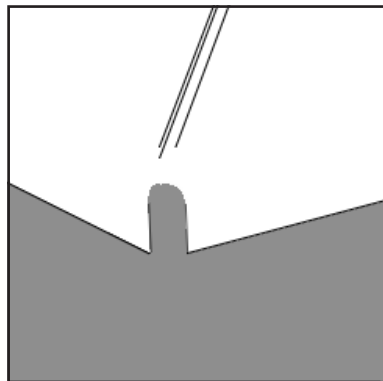
No Valance



Sewn-On Valance

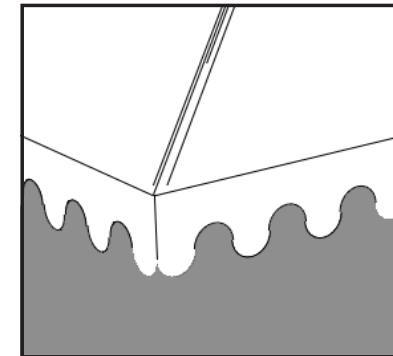
Visible seams define the transition from canopy to valance. All sides are connected keeping a clean perimeter, the perfect advertisement solution.

Valances are a traditional and attractive edition to any parasol. They are also perfect for branding and can be used to promote a brand or the name of your establishment.



Flowing Valance

Transition from canopy to valance is undefined, moving freely in the breeze.



Scalloped Valance

Curved edge at the bottom of a valance. Available for flowing or sewed-on.



Noir
6028



Carbone
U171



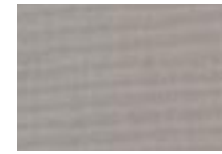
Ardoise
8203



Pierre
6196



Argile
U387



Gris
6088



Argent
7552



Taupe
7559



Chanvre
8200



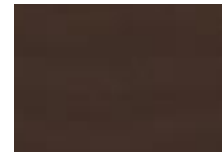
Beige
8902



Grège
6020



Chocolat
U083



Brownie
U224



Marron
0613



Cacao
8776



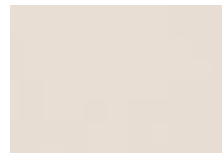
Toast
8891



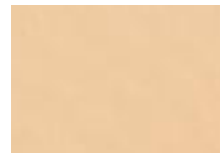
Dune
0681



Ivoire
7548



Naturel
7133



Champagne
0806



Blé
6318



Sable
0034



Safran
8777



Turquoise
6688



Bleuet
8204



Paon
8901



Foret
6687



Azur
U388



Méditerranée
8202



Bleu
0017



Bleu Nuit
8238



Saphir
6720

Don't see the colour you want? Please contact our team and we'll do our best to find a match.

Please note: colours shown are indicative only. For an exact match, please contact Breezefree and request a physical sample.



Chardon
8778



Océan
7264



Marine
6022



Pink
U170



Mauve
8601



Cassis
7554



Châtagne
XXXX8207



Cerise
6435



Rouge
3914



Bordeaux
8206



Vermilion
0020



Jaune
6316



Mandarine
0867



Orange
0018



Papaye
8205



Paille
7560



Citron
7703



Vanille
6610



Ecu
0001



Olive
0853



Réséda
6023



Absinthe
8600



Fougère
8201



Vert
0003



Emeraude
7297



Amande
7244



Menthe
7557

Don't see the colour you want? Please contact our team and we'll do our best to find a match.

Please note: colours shown are indicative only. For an exact match, please contact Breezefree and request a physical sample.

Up to four end-arm heaters can be fixed to the corners of the parasol, facing inwards.

- IP24 rated with insulated safety casing
- Variable & automated switching options
- Minimum life of 5000 hours
- 8% glare-free light & 92% heat
- 30% energy savings over conventional electric heaters



Portable bases are available in a variety of styles and weights to suit your needs and complement the look of your outdoor area.



Oslo Base



Rome Base



Paris Base

 **breezefree**

IN PARTNERSHIP WITH  **LIBART**

Unit 7 Mitcham Industrial Estate
Streatham Road
Mitcham
CR4 2AP

+44 (0)20 8877 3030 | breezefree.com | libart.co.uk