



PARASOLS | *strongwind*

 **breezefree**

PARASOLS | *strongwind*

# PARASOLS | *strongwind*

- 4 Introduction
- 6 Gallery
- 10 Safety
- 11 Strength
- 12 Sizes & Specifications
- 16 End-arm Heaters
- 17 Swift-Fold Heaters
- 18 Ground Sockets
- 19 Bases
- 20 Valances
- 21 Gutters
- 22 Branding
- 23 Lighting
- 24 Fabric Colours

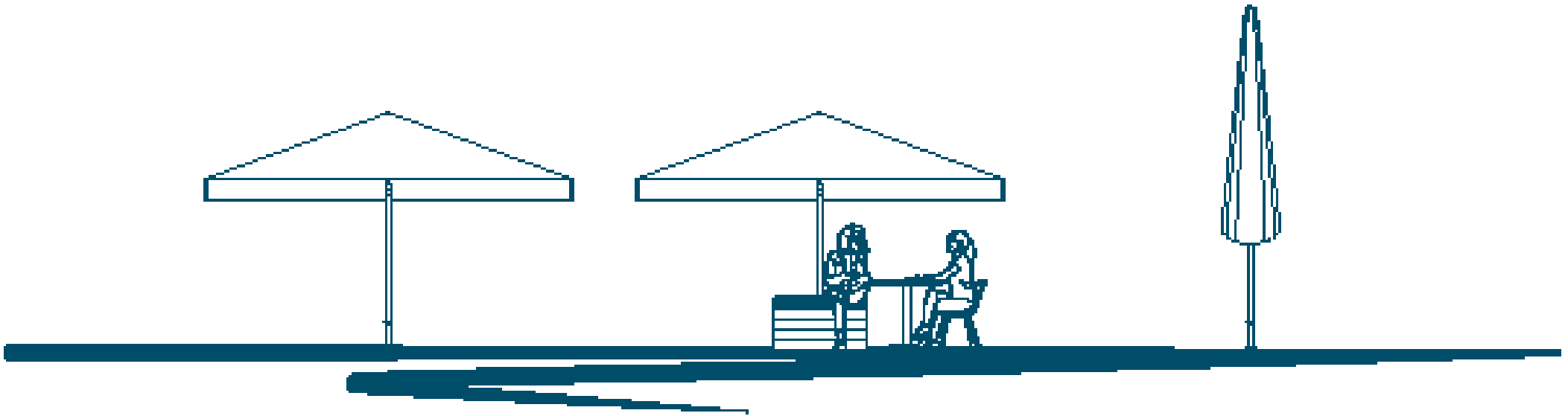


## PARASOLS | *strongwind*

Traditional, central-mast parasols have, for many years, been the most popular choice for outdoor shade and shelter. ***Strongwind*** parasols with their increased strength and durability, make them perfect for the commercial market.

The superior wind resistance of ***Strongwind*** parasols make them a perfect solution for exposed locations. Tested in Mercedes-Benz's wind tunnel, Strongwind Parasols have withstood winds of up to 60mph.

***Strongwind*** parasols are telescopic and crank lever operated. Their strength comes from a significantly larger mast diameter and wall thickness, as well as wider parasol arms. ***Strongwind*** parasols are available with optional heaters, lights, side panels, gutters and branding



PARASOLS | Strongwind



PARASOLS | *Strongwind*



PARASOLS | Strongwind





PARASOLS | Strongwind



**Strongwind** parasols have passed extensive load and rigidity testing by TUS/SUD and we are proud to carry the “*Production Monitored - Safety Tested*” quality seal.

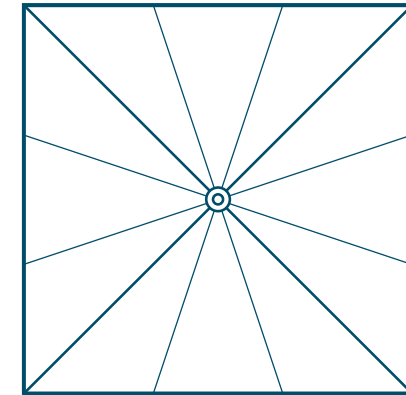


Strong and stable mast, its lower part reinforced with interior pipes.

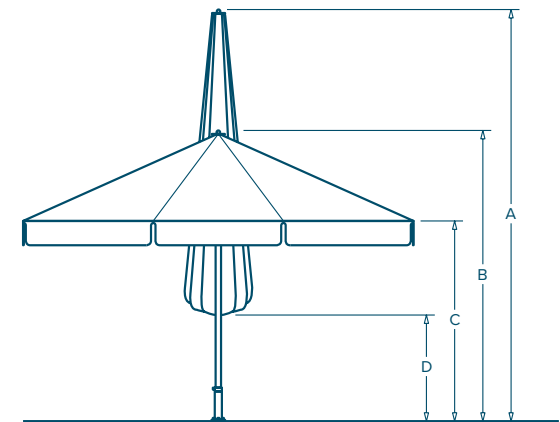
The corner arms of square parasols are reinforced with galvanized steel tubes to provide additional strength.

The connecting joints between the parasol arms and supporting arms are made with U channels.

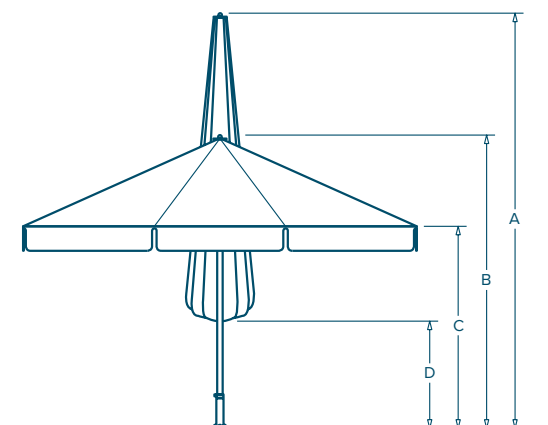
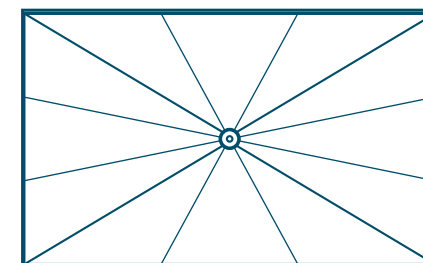


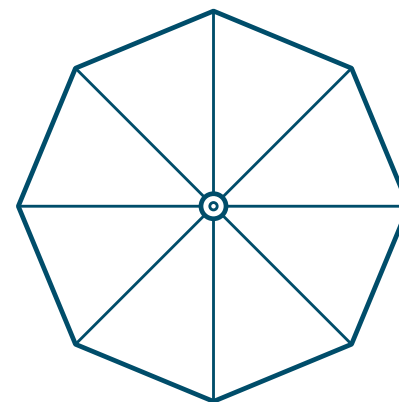


SIZE <i>m</i>	AREA <i>m</i> <sup>2</sup>	CLOSED HEIGHT (A) <i>m</i>	OPEN HEIGHT (B) <i>m</i>	HEAD HEIGHT (C) <i>m</i>	CLEARANCE (D) <i>m</i>	WEIGHT <i>Kg</i>	MAX. WIND RESISTANCE <i>Km/H</i>
3 x 3	9	3.87	2.89	2.25	1.64	40	102
4 x 4	16	4.34	3.16	2.35	1.41	53	102
4.5 x 4.5	20	4.74	3.35	2.45	1.45	75	102
5 x 5	25	4.97	3.44	2.45	1.32	82	102
6 x 6	36	5.36	3.62	2.45	0.98	109	70

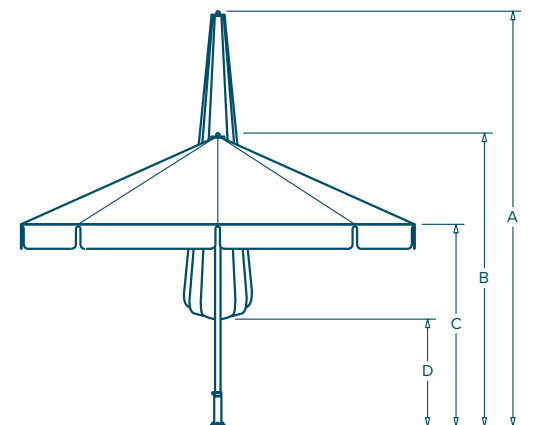


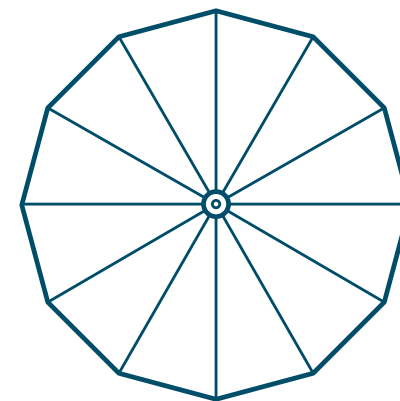
SIZE <i>m</i>	AREA <i>m</i> <sup>2</sup>	CLOSED HEIGHT (A) <i>m</i>	OPEN HEIGHT (B) <i>m</i>	HEAD HEIGHT (C) <i>m</i>	CLEARANCE (D) <i>m</i>	WEIGHT <i>Kg</i>	MAX. WIND RESISTANCE <i>Km/H</i>
3 X 4	12	4.21	2.98	2.35	1.64	45	102
5 X 3.5	17.5	4.47	3.06	2.35	1.36	70	102
5 X 4	20	4.69	3.25	2.45	1.43	79	102
6 X 4	25	4.9	3.34	2.45	1.21	83	102
6 X 5	30	5.08	3.44	2.45	1.07	88	70
6 X 5.5	33	5.17	3.53	2.45	0.98	96	70
7 X 4	28	4.99	3.31	2.45	0.88	92	70
7.5 X 4	30	5.22	3.49	2.45	0.87	98	70



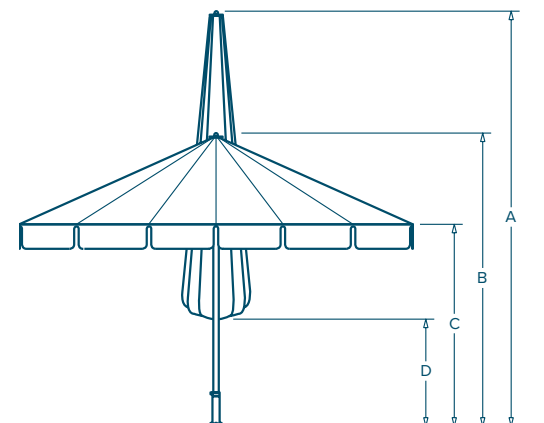


SIZE Øm	AREA m <sup>2</sup>	CLOSED HEIGHT (A) m	OPEN HEIGHT (B) m	HEAD HEIGHT (C) m	CLEARANCE (D) m	WEIGHT Kg	MAX. WIND RESISTANCE Km/H
3	7	3.56	2.8	2.25	1.96	37	102
4	12	4.16	3.08	2.35	2.05	45	102
5	20	4.65	3.27	2.4	2.01	66	102





SIZE Øm	AREA m <sup>2</sup>	CLOSED HEIGHT (A) m	OPEN HEIGHT (B) m	HEAD HEIGHT (C) m	CLEARANCE (D) m	WEIGHT Kg	MAX. WIND RESISTANCE Km/H
6	28	4.87	3.45	2.4	2.01	110	102
7	38	5.16	3.67	2.45	1.48	124	70
8	50	5.5	3.83	2.45	1.18	134	70



Up to eight end-arm heaters can be fixed to the corners of the parasol, facing inwards.

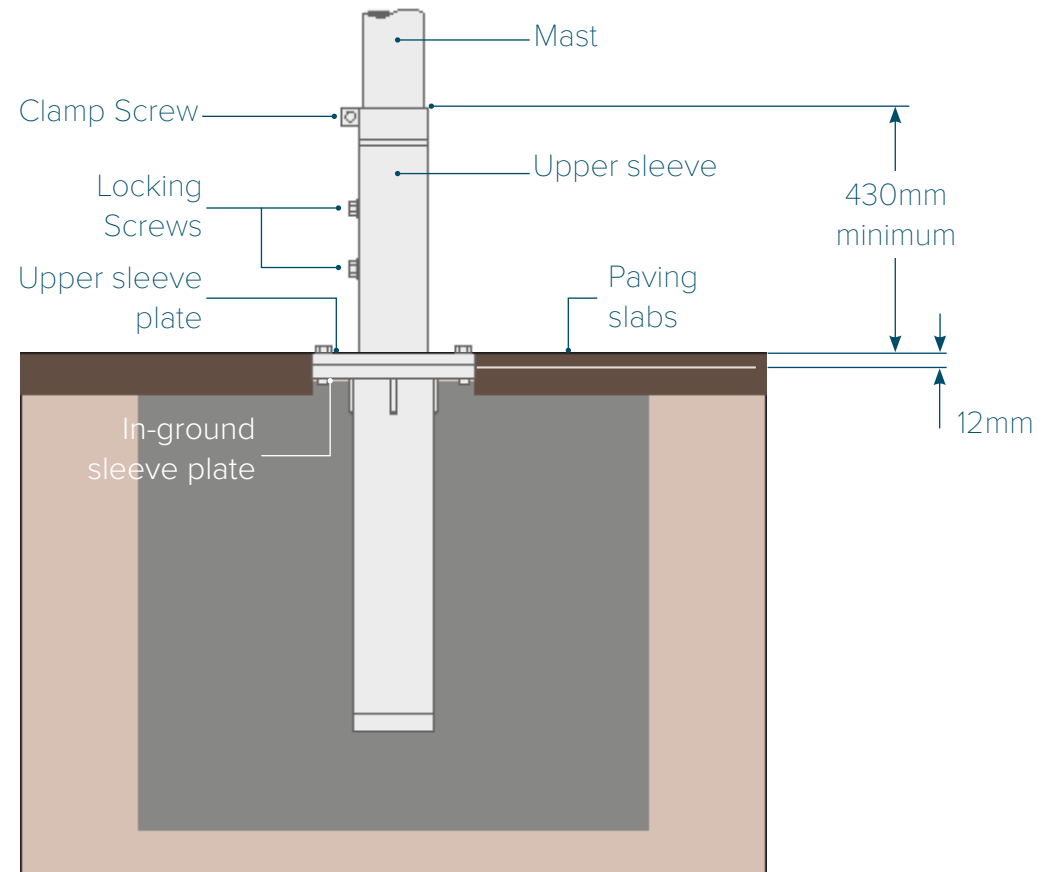




Up to four swift-fold heaters can be fixed to adjustable spars surrounding the mast and pointing outwards. They are easily folded and stowed when the parasol is closed.



For permanent installation, an in-ground sleeve is installed into a concrete foundation. The upper sleeve is then secured to the exposed in-ground sleeve plate. The parasol mast is inserted and secured twice - by a clamp screw and locking screws. This prevents the mast from wobbling.



Typical ground socket configuration.  
Details may vary depending on the parasol type being installed.

When ground sockets are not an option, Parasols can be installed in pedestal bases. The base consists of an upper sleeve and weighted stand.

The pedestal base is weighed down with concrete slabs. This can then be covered with an optional decked seat or planter.



Valances are a traditional and attractive addition to any parasol.

They are also perfect for branding and can be used to promote a brand or the name of your establishment.

Breezefree offer a variety of branding opportunities.



Gutters can be fitted between parasols to provide directed drainage and uninterrupted cover. The gutter is attached to the parasol by snap hooks.

Gutters can connect several parasols into one unit or can connect a parasol to a building.



Breezefree's print department will ensure that your parasols adhere to your image effectively.

The possibilities are almost limitless, from simple logos through to large, complex designs.



LED strip lights can be mounted to the parasol spars and arms.

A variety of different lighting options are available.





Noir  
6028



Ardoise  
8203



Orange  
0018



Océan  
7264



Jaune  
6316



Vert  
0003



Marron  
0613



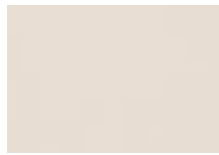
Turquoise  
6688



Dune  
0681



Ivoire  
7548



Naturel  
7133



Champagne  
0806



Vermilion  
0020



Marine  
6022



Saphir  
6720



Absinthe  
8600



Pierre  
6196



Foret  
6687



Rouge  
3914



Bleu  
0017



Ecrû  
0001



Olive  
0853



Bordeaux  
8206

Don't see the colour you want? Please contact our team and we'll do our best to find a match.

**Please note:** colours shown are indicative only. For an exact match, please contact Breezefree and request a physical sample.





Blé  
6318



Grège  
6020



Multico  
7131



Vanille  
6610



Sable  
0034



Narval  
7558



Paille  
7560



Moka  
7553



Méditerranée  
8202



Chardon  
8778



Châtagne  
8207



Aquamarine  
7551



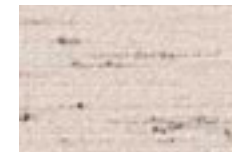
Mandarine  
0867



Menthe  
7557



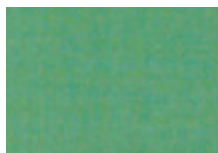
Brique  
7104



Perle  
7972



Argent  
7552



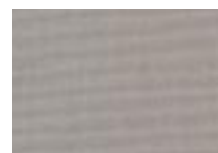
Tilleul  
7103



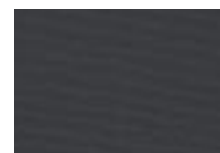
Fougère  
8201



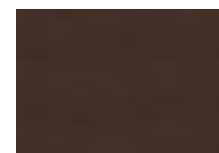
Cypres  
7100



Gris  
6088



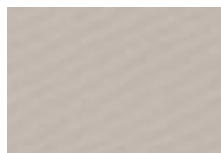
Carbone  
U171



Brownie  
U224



Cacao  
8776



Argile  
U387



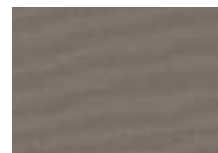
Azur  
U388



Pink  
U170



Chocolat  
U083



Taupe  
7559



Mauve  
8601



Chanvre  
8200



Beige  
8902

Don't see the colour you want? Please contact our team and we'll do our best to find a match.

**Please note:** colours shown are indicative only. For an exact match, please contact Breezefree and request a physical sample.



Citron  
7703



Safran  
8777



Bleu Nuit  
8238



Emeraude  
7297



Amande  
7244



Réséda  
6023



Papaye  
8205



Paon  
8901



Bleuet  
8204



Toast  
8891



Unit 7 Mitcham Industrial Estate  
Streatham Road  
Mitcham  
CR4 2AP

+44 (0)20 8877 3030 | [breezefree.com](http://breezefree.com)