



PARASOLS | *type T*

 breezefree

PARASOLS | *type T*

# PARASOLS | *type T*

- 4 Introduction
- 6 Gallery
- 10 Sizes & Specifications
- 15 End-arm Heaters
- 16 Swift-Fold Heaters
- 17 Ground Sockets
- 18 Bases
- 19 Valances
- 20 Gutters
- 21 Branding
- 22 Lighting
- 23 Fabric Colours



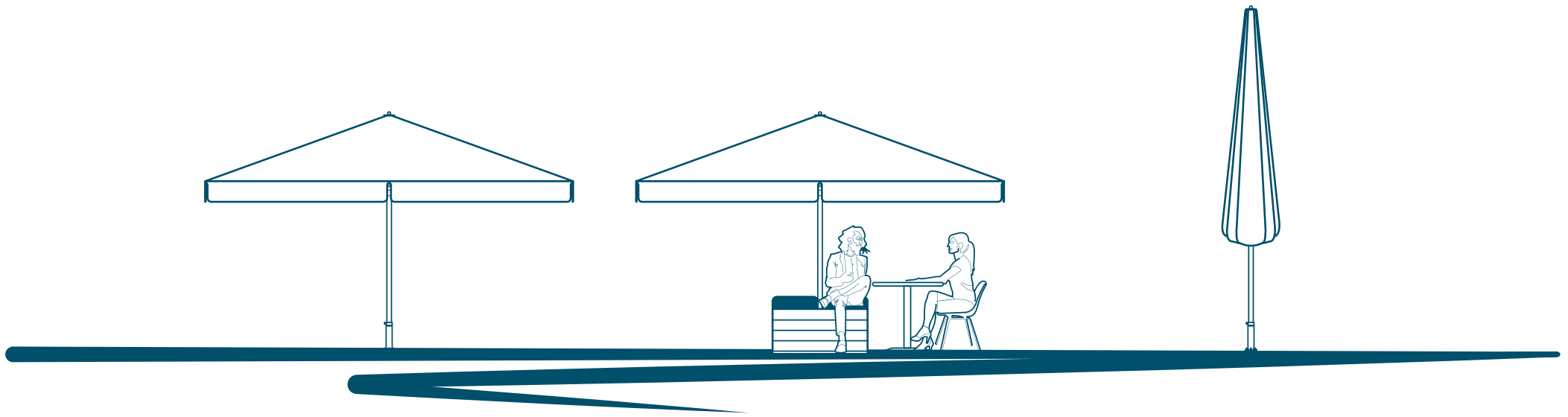
## PARASOLS | *type T*

**Type T** parasols by Breezefree offer shade on hot, sunny days and protection from rain all year round.

Telescopically opening and closing to provide clearance over tables and chairs, they can be fitted with lighting and heaters to create a cosy, ambient environment late into the evening.

**Type T** parasols by Breezefree come in a wide range of sizes and shapes, up to 6m in width.

Multiple parasols can be combined together, with optional gutters between, to cover large or unusually shaped terraces, forecourts and gardens.



PARASOLS | Type T



PARASOLS | Type T



PARASOLS | *Type T*

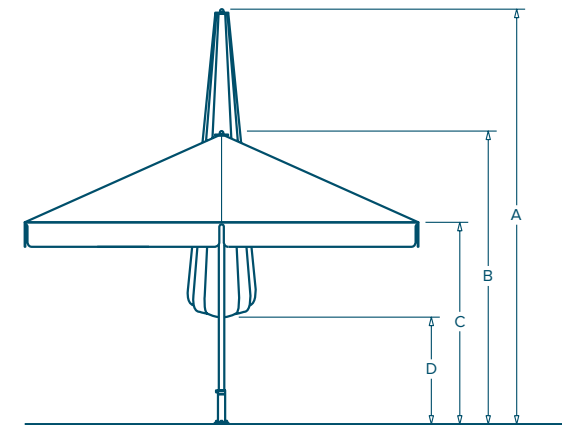
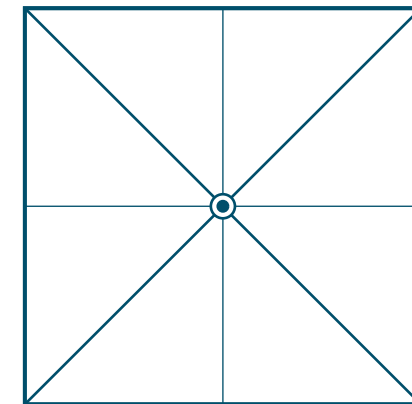




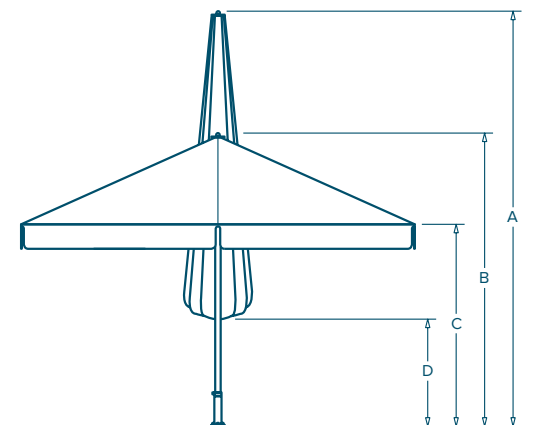
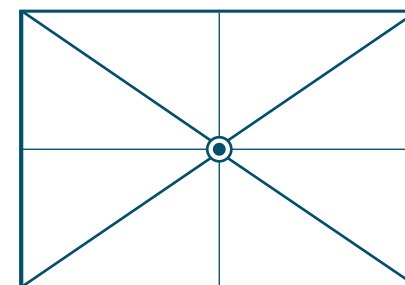
PARASOLS | *Type T*



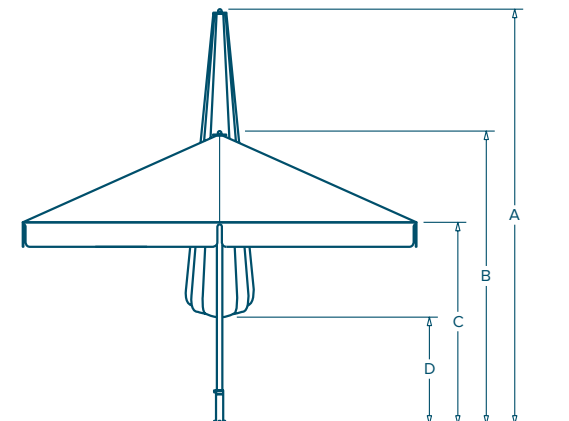
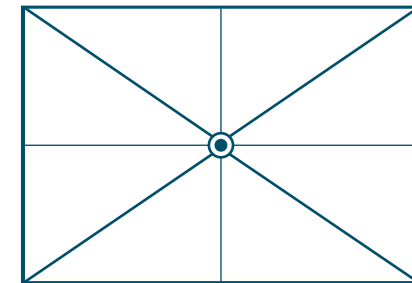
SIZE <i>m</i>	AREA <i>m<sup>2</sup></i>	CLOSED HEIGHT (A) <i>m</i>	OPEN HEIGHT (B) <i>m</i>	HEAD HEIGHT (C) <i>m</i>	CLEARANCE (D) <i>m</i>	WEIGHT <i>Kg</i>	MAX. WIND RESISTANCE <i>Km/H</i>
2 x 2	4	3.3	2.7	2.25	1.38	20	50
2.5 x 2.5	6.25	3.42	2.73	2.25	1.65	22	50
3 x 3	9	3.72	2.82	2.25	1.6	28	50
3.5 x 3.5	12.25	3.9	3	2.35	1.4	31	50
4 x 4	16	3.91	3.07	2.35	1.08	34	50
4.5 x 4.5	20.25	4.13	3.18	2.35	0.93	40	
5 x 5	25	4.25	3.3	2.45	0.78	48	

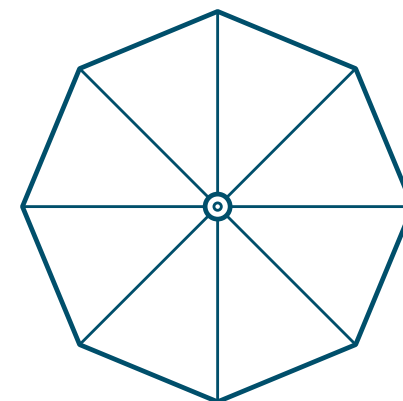


SIZE <i>m</i>	AREA <i>m</i> <sup>2</sup>	CLOSED HEIGHT (A) <i>m</i>	OPEN HEIGHT (B) <i>m</i>	HEAD HEIGHT (C) <i>m</i>	CLEARANCE (D) <i>m</i>	WEIGHT <i>Kg</i>	MAX. WIND RESISTANCE <i>Km/H</i>
2.5 x 2	5	3.5	2.62	2.25	1.9	21	50
3 x 2	6	3.45	2.62	2.25	1.73	22	50
3 x 2.5	7.5	3.65	2.72	2.25	1.66	25	50
3.5 x 2	7	3.68	2.68	2.3	1.7	22	50
3.5 x 2.5	8.75	3.73	2.77	2.3	1.6	27	50
3.5 x 3	10.5	3.77	2.91	2.35	1.5	29	50
4 x 2	8	3.69	2.72	2.35	1.38	27	50
4 x 2.5	10	3.8	2.81	2.35	1.48	29	50
4 x 3	12	3.84	2.92	2.35	1.4	31	50
4 x 3.5	14	4.03	3	2.35	1.38	31	50
4.5 x 3	13.5	4.05	3	2.35	1.26	34	50
4.5 x 3.5	15.75	3.99	2.99	2.35	1.15	34	50
4.5 x 4	18	4.11	3.07	2.35	1.1	36	50

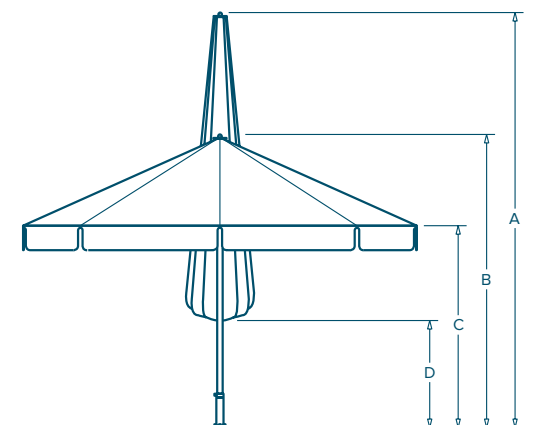


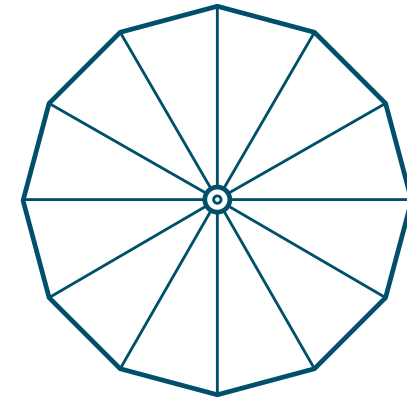
SIZE <i>m</i>	AREA <i>m</i> <sup>2</sup>	CLOSED HEIGHT (A) <i>m</i>	OPEN HEIGHT (B) <i>m</i>	HEAD HEIGHT (C) <i>m</i>	CLEARANCE (D) <i>m</i>	WEIGHT <i>Kg</i>	MAX. WIND RESISTANCE <i>Km/H</i>
5 x 2.5	12.5	3.96	2.82	2.35	1.2	32	50
5 x 3	15	4	2.9	2.35	1.1	36	50
5 x 3.5	17.5	4.05	2.99	2.35	0.77	36	50
5 x 4	20	4.16	3.18	2.45	0.96	40	50
5 x 4.5	22.5	4.3	3.27	2.45	0.92	48	50
5.5 x 3.5	19.25	4.18	3.09	2.45	0.94	46	50
5.5 x 4	22	4.25	3.2	2.45	0.85	48	50
5.5 x 5	27.5	4.59	3.37	2.45	0.84	56	50
6 x 3	18	4.4	3.28	2.45	0.85	47	50
6 x 3.5	21	4.59	3.37	2.45	0.7	48	50
6 x 4	24	4.46	3.59	2.45	0.72	50	50
6 x 4.5	27	4.55	3.3	2.45	0.72	56	50
6.5 x 4	26	4.55	3.3	2.45	0.65	56	50



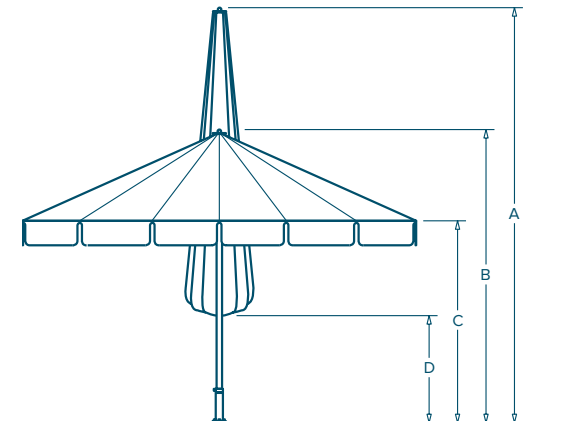


SIZE <i>m</i> Ø	AREA <i>m</i> <sup>2</sup>	CLOSED HEIGHT (A) <i>m</i>	OPEN HEIGHT (B) <i>m</i>	HEAD HEIGHT (C) <i>m</i>	CLEARANCE (D) <i>m</i>	WEIGHT <i>Kg</i>	MAX. WIND RESISTANCE <i>Km/H</i>
3	7	3.5	2.8	2.25	1.6	28	50
3.5	9	3.6	2.9	2.3	1.55	28	50
4	12	3.7	3	2.35	1.45	30	50
4.5	15	3.8	3	2.4	1.35	32	50
5	20	3.9	3.1	2.4	1.25	35	50
5.5	23	4.05	3.15	2.4	1.15	38	50
6	27	4.3	3.3	2.45	0.9	48	50





SIZE Øm	AREA m <sup>2</sup>	CLOSED HEIGHT (A) m	OPEN HEIGHT (B) m	HEAD HEIGHT (C) m	CLEARANCE (D) m	WEIGHT Kg	MAX. WIND RESISTANCE Km/H
6	28	4.3	3.3	2.45	0.9	52	50
6.5	31	4.4	3.3	2.4	0.7	55	50



Up to four end-arm heaters can be fixed to the corners of the parasol, facing inwards.

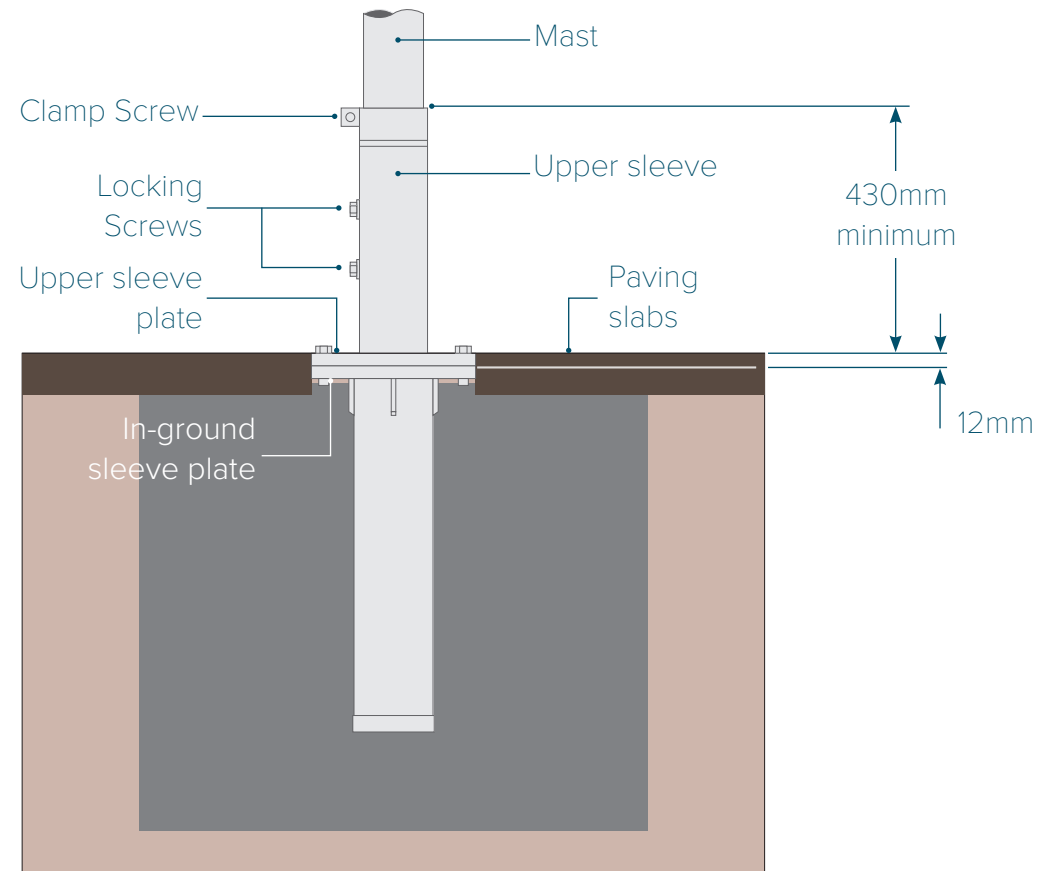


Up to four swift-fold heaters can be fixed to adjustable spars surrounding the mast and pointing outwards. They are easily folded and stowed when the parasol is closed.





For permanent installation, an in-ground sleeve is installed into a concrete foundation. The upper sleeve is then secured to the exposed in-ground sleeve plate. The parasol mast is inserted and secured twice - by a clamp screw and locking screws. This prevents the mast from wobbling.



Typical ground socket configuration.  
Details may vary depending on the parasol type being installed.

When ground sockets are not an option, Parasols can be installed in pedestal bases. The base consists of an upper sleeve and weighted stand.

The pedestal base is weighed down with concrete slabs. This can then be covered with an optional decked seat or planter.



Valances are a traditional and attractive addition to any parasol.

They are also perfect for branding and can be used to promote a brand or the name of your establishment.

Breezefree offer a variety of branding opportunities.



Gutters can be fitted between parasols to provide directed drainage and uninterrupted cover. The gutter is attached to the parasol by snap hooks.

Gutters can connect several parasols into one unit or can connect a parasol to a building.



Breezefree's print department will ensure that your parasols adhere to your image effectively.

The possibilities are almost limitless, from simple logos through to large, complex designs.



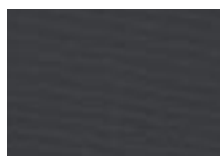
LED strip lights can be mounted to the parasol spars and arms.

A variety of different lighting options are available.





Noir  
6028



Carbone  
U171



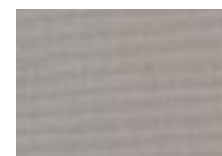
Ardoise  
8203



Pierre  
6196



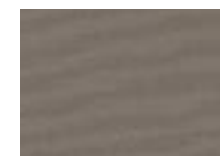
Argile  
U387



Gris  
6088



Argent  
7552



Taupe  
7559



Chanvre  
8200



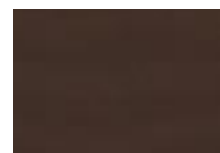
Beige  
8902



Grège  
6020



Chocolat  
U083



Brownie  
U224



Marron  
0613



Cacao  
8776



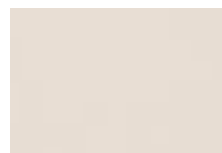
Toast  
8891



Dune  
0681



Ivoire  
7548



Naturel  
7133



Champagne  
0806



Blé  
6318



Sable  
0034



Safran  
8777



Turquoise  
6688



Bleuet  
8204



Paon  
8901



Foret  
6687



Azur  
U388



Méditerranée  
8202



Bleu  
0017



Bleu Nuit  
8238



Saphir  
6720

Don't see the colour you want? Please contact our team and we'll do our best to find a match.

**Please note:** colours shown are indicative only. For an exact match, please contact Breezefree and request a physical sample.



Chardon  
8778



Océan  
7264



Marine  
6022



Pink  
U170



Mauve  
8601



Cassis  
7554



Châtagne  
XXXX8207



Cerise  
6435



Rouge  
3914



Bordeaux  
8206



Vermilion  
0020



Jaune  
6316



Mandarine  
0867



Orange  
0018



Papaye  
8205



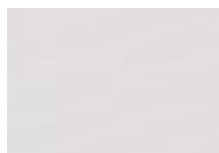
Paille  
7560



Citron  
7703



Vanille  
6610



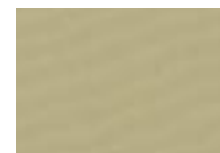
Ecrû  
0001



Olive  
0853



Réséda  
6023



Absinthe  
8600



Fougère  
8201



Vert  
0003



Emeraude  
7297



Amande  
7244



Menthe  
7557

Don't see the colour you want? Please contact our team and we'll do our best to find a match.

**Please note:** colours shown are indicative only. For an exact match, please contact Breezefree and request a physical sample.





Unit 7 Mitcham Industrial Estate  
Streatham Road  
Mitcham  
CR4 2AP

+44 (0)20 8877 3030 | [breezefree.com](http://breezefree.com)