

PERGOLAS *flat*

 breezefree

CONTENTS

4	Gallery
8	Module Dimensions
10	Components
12	Water Run-Off
13	Fabric Roof Details
14	Installation Details
18	Gutter
19	LED Lighting

PERGOLA | flat



PERGOLA | flat



PERGOLA | flat



PERGOLA | flat

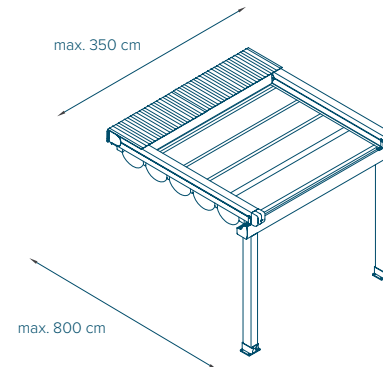


ONE MODULE

2000 - 3500mm wide

One motor

Two rafters

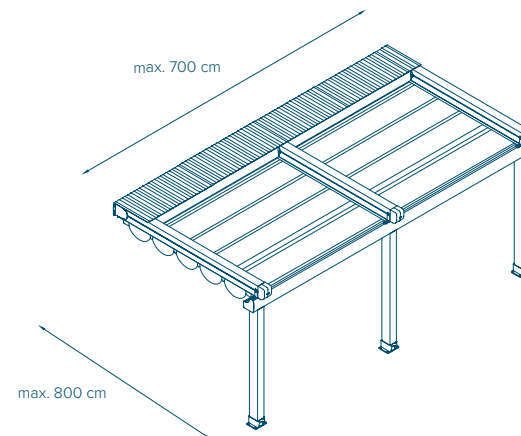


TWO MODULES

3500 - 7000mm wide

One motor

Three rafters

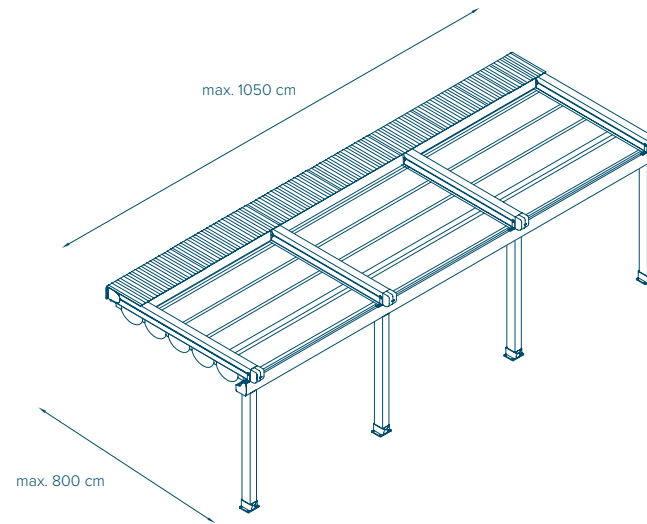


THREE MODULES

7000 - 10500mm wide

One motor

Three rafters

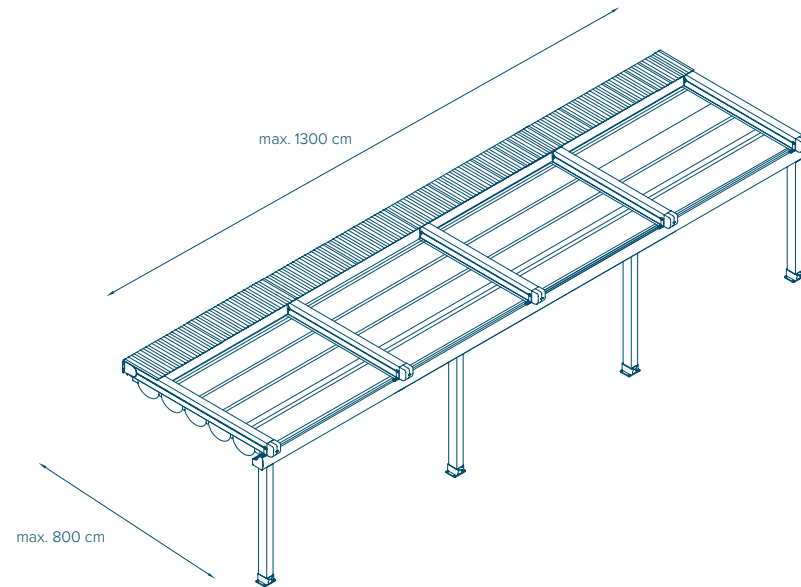


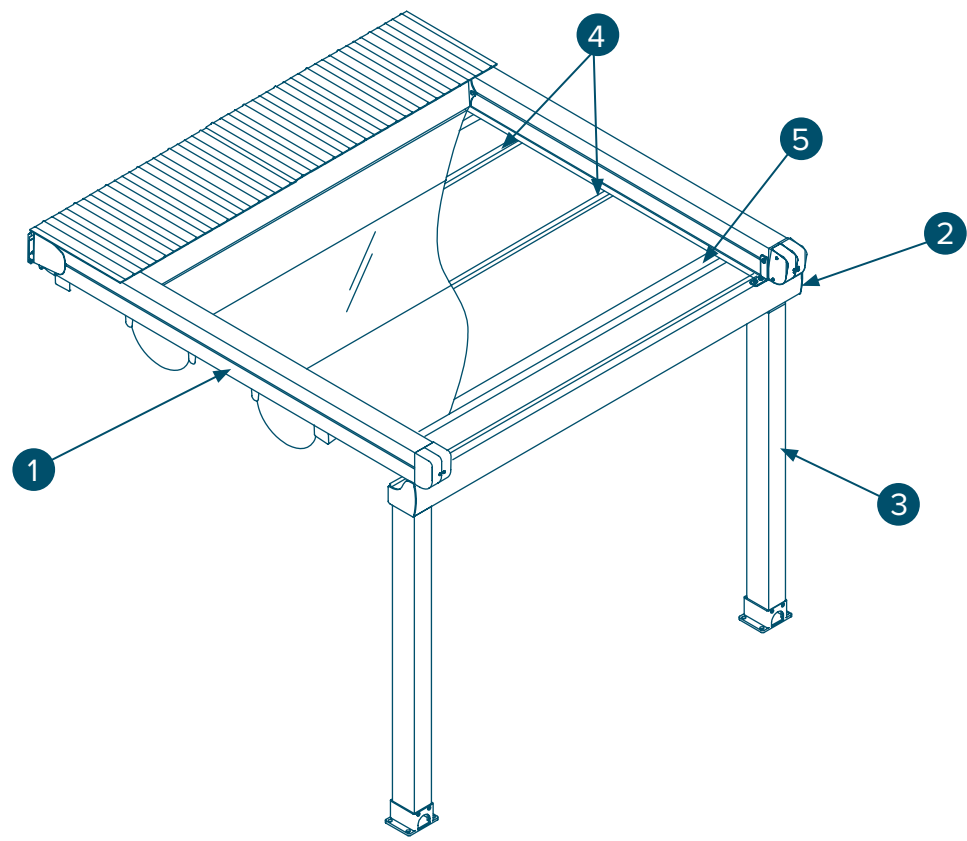
FOUR MODULES

10500 - 13000mm wide

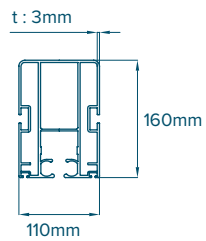
One motor

Three rafters

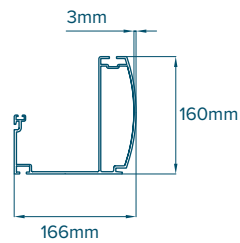




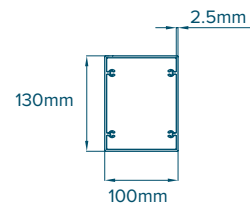
1. RAFTER



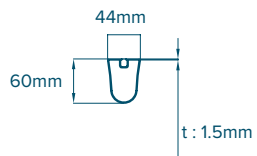
2. GUTTER



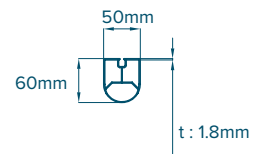
3. POST



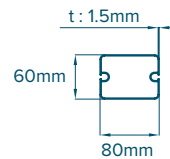
4a. FABRIC SUPPORT
Standard



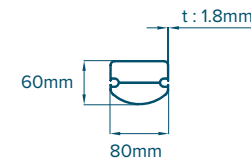
4b. FABRIC SUPPORT
With light



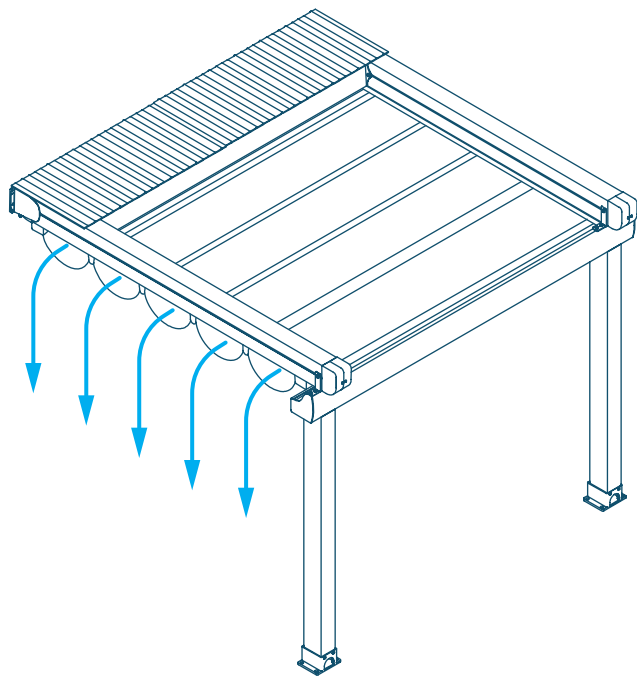
5a. PULLER PROFILE
Standard



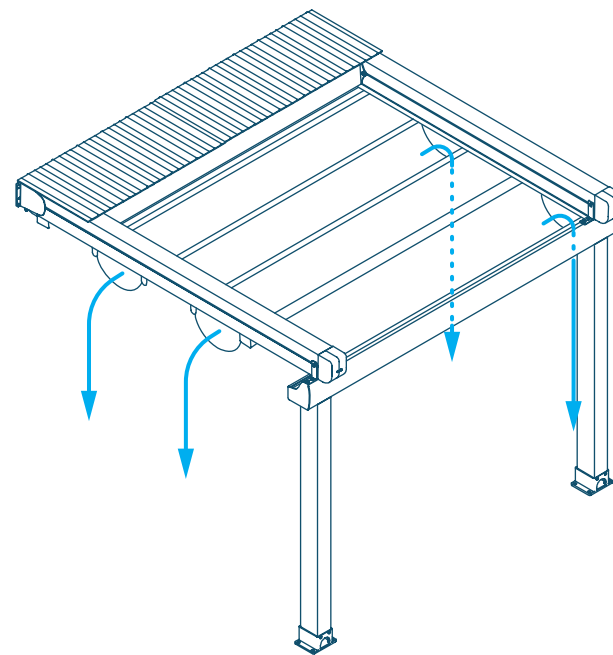
5b. PULLER PROFILE
With light

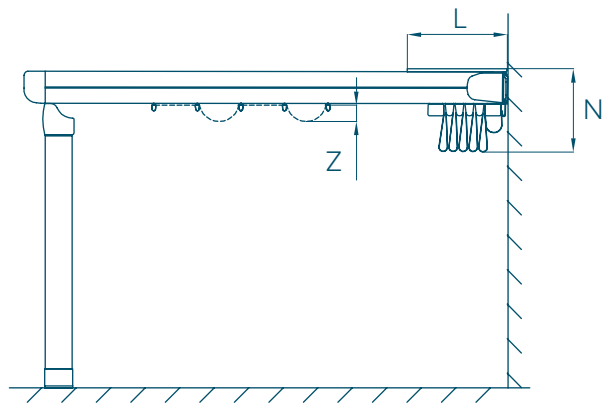


ONE-SIDE WATER RUN-OFF



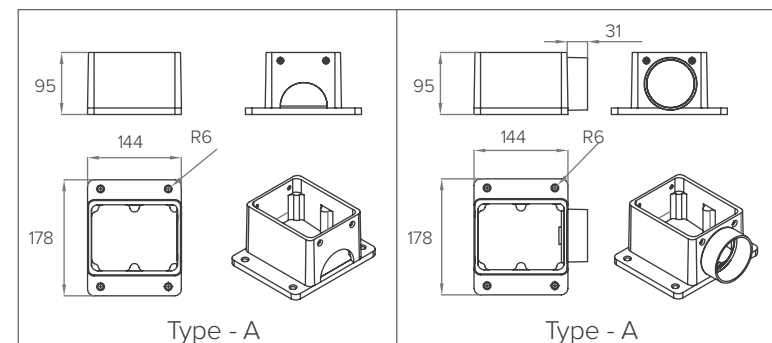
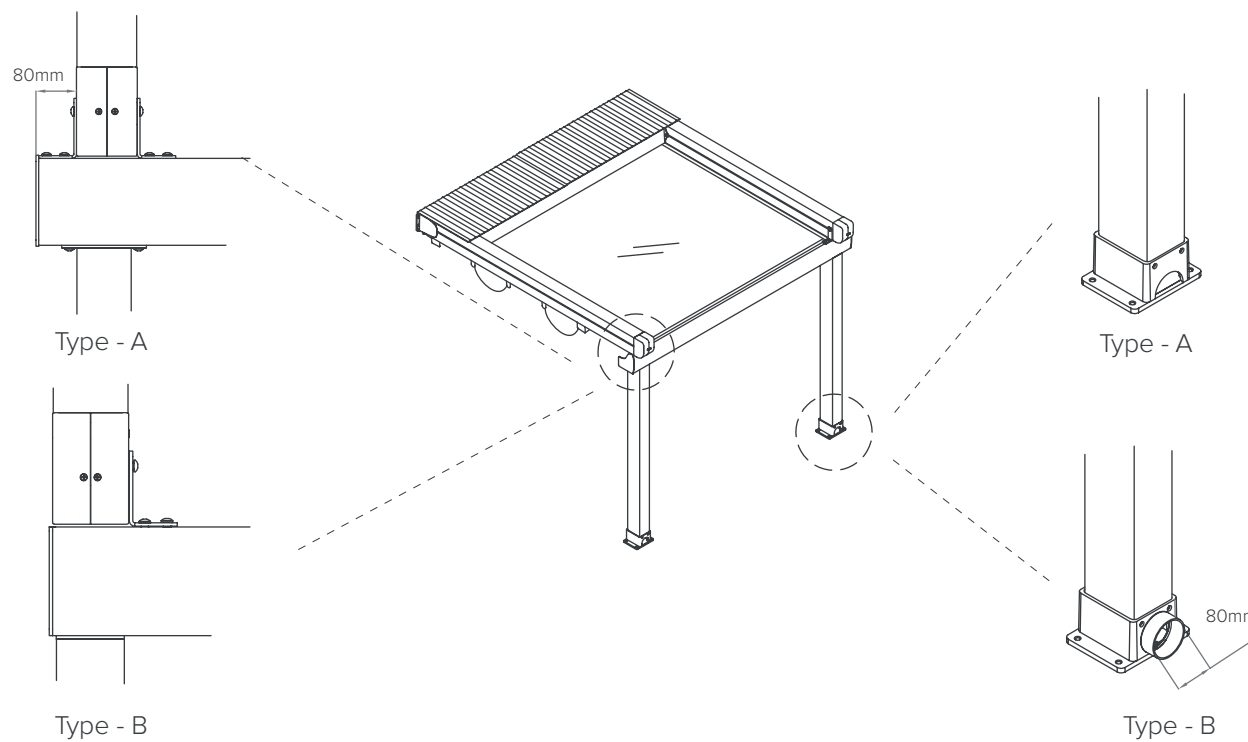
ALTERNATING WATER RUN-OFF

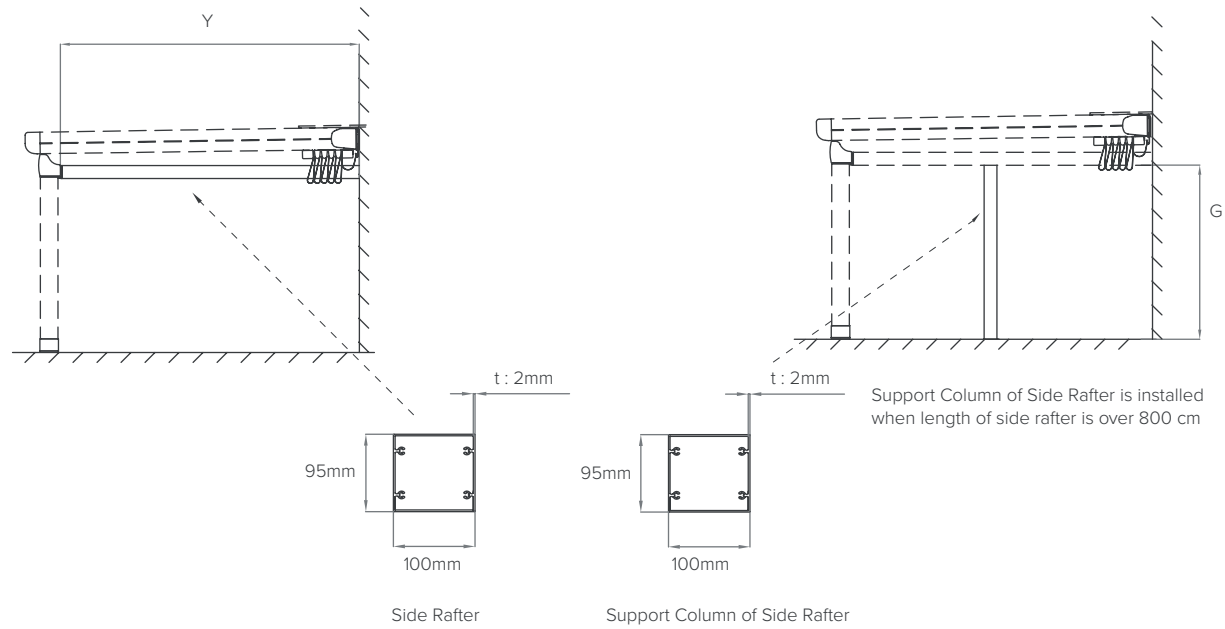


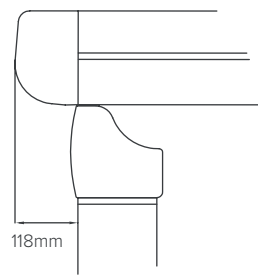
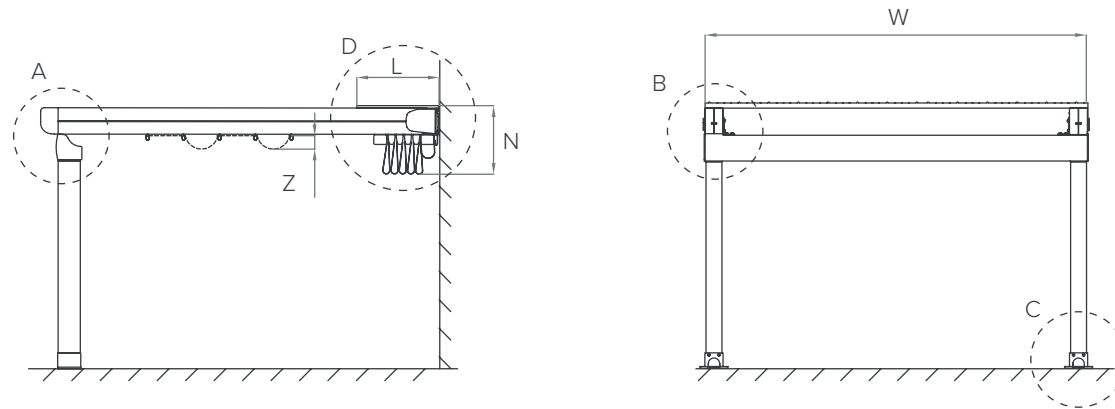


	Fabric Height	Hood	Fab. Sup. Profiles
Proj (mm)	N (mm)	L (mm)	Nr.
3000	355	633	7
3500	355	688	8
4000	355	743	9
4500	355	853	11
5000	355	908	12
5500	355	963	13
6000	355	1018	14
6500	355	1073	15
7000	355	1183	17
7500	355	1238	18
8000	355	1293	19

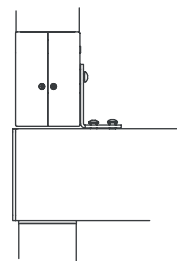
	Festoon Height
Width (mm)	Z (mm)
3000	130
3500	160
4000	100
4500	100
5000	100
5500	130
6000	150
6500	160
7000	160
7500	130
8000	130
8500	130
9000	130
9500	160
10000	160
10500	160
11000	130
11500	130
12000	170
12500	170
13000	170



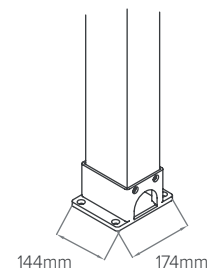




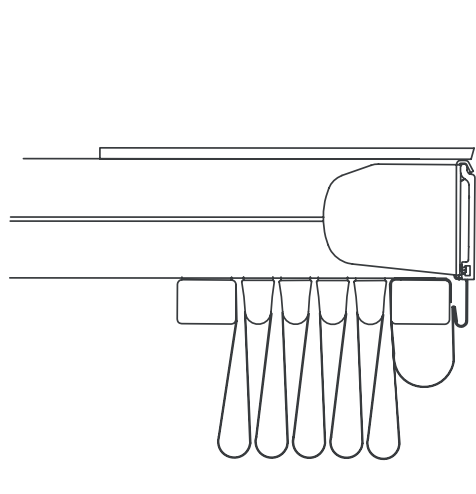
DETAIL A



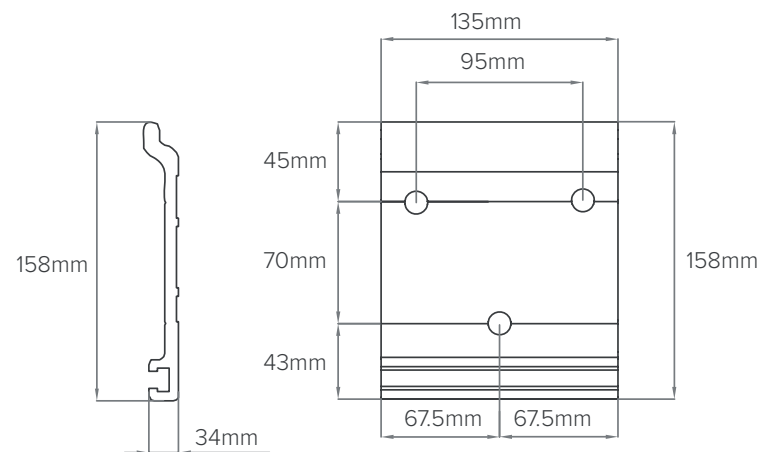
DETAIL B



DETAIL C

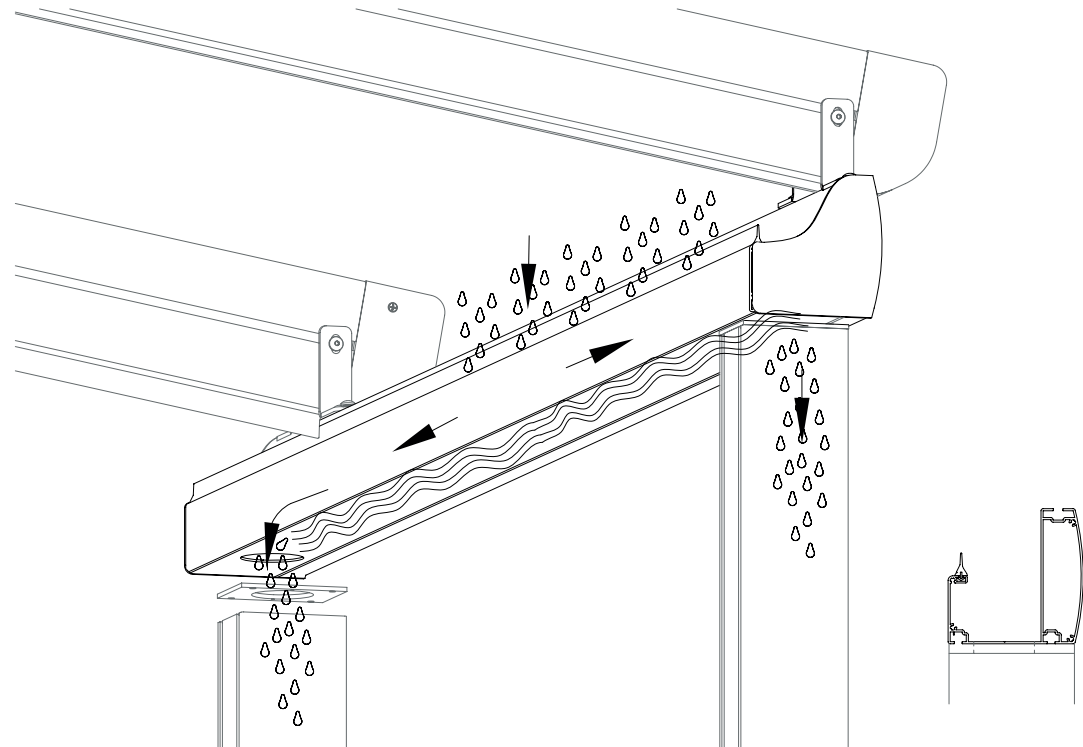


DETAIL D

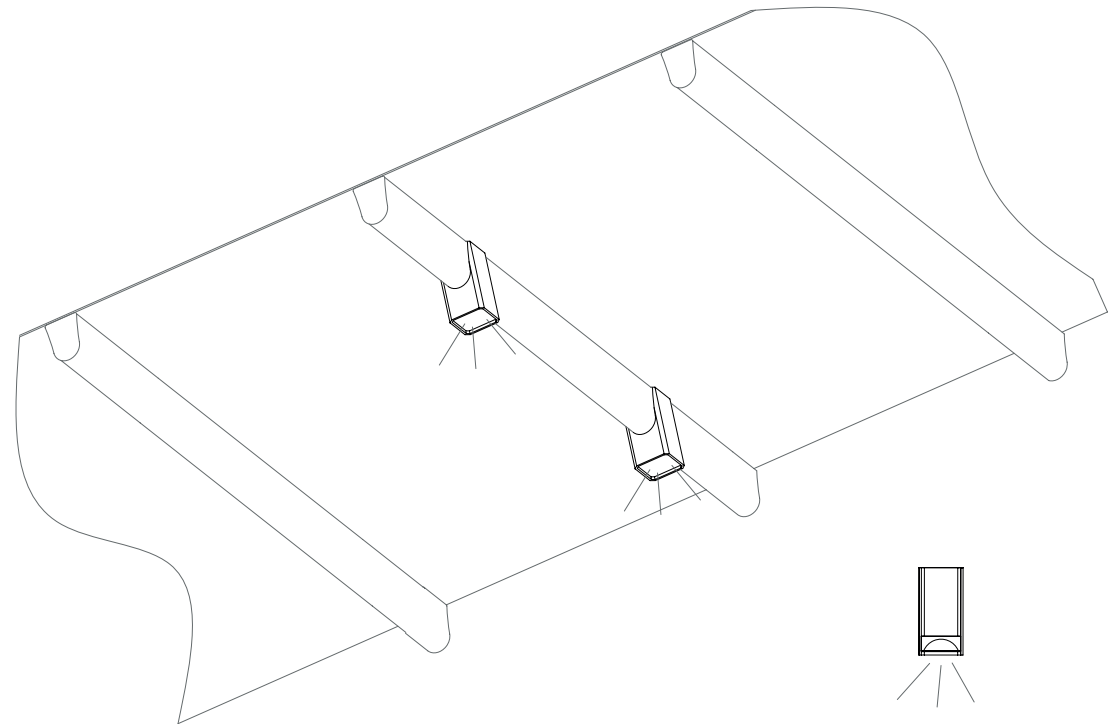


INSTALLATION BRACKET

INTEGRATED GUTTER
AND INTERNAL DRAINAGE SYSTEM



HIGH POWERED INTEGRATED
LIGHTING SYSTEM





Unit 7 Mitcham Industrial Estate
Streatham Road
Mitcham
CR4 2AP

+44 (0)20 8877 3030 | breezefree.com