



PERGOLAS | *novo*

 **breezefree**



PERGOLAS | *novo*

# PERGOLAS | *novo*

- 4 Gallery
- 8 Details
- 10 Standard Swatches
- 12 Integrated Gutters
- 13 Integrated LED Lighting

PERGOLAS | *novo*





PERGOLAS | novo





PERGOLAS | *novo*





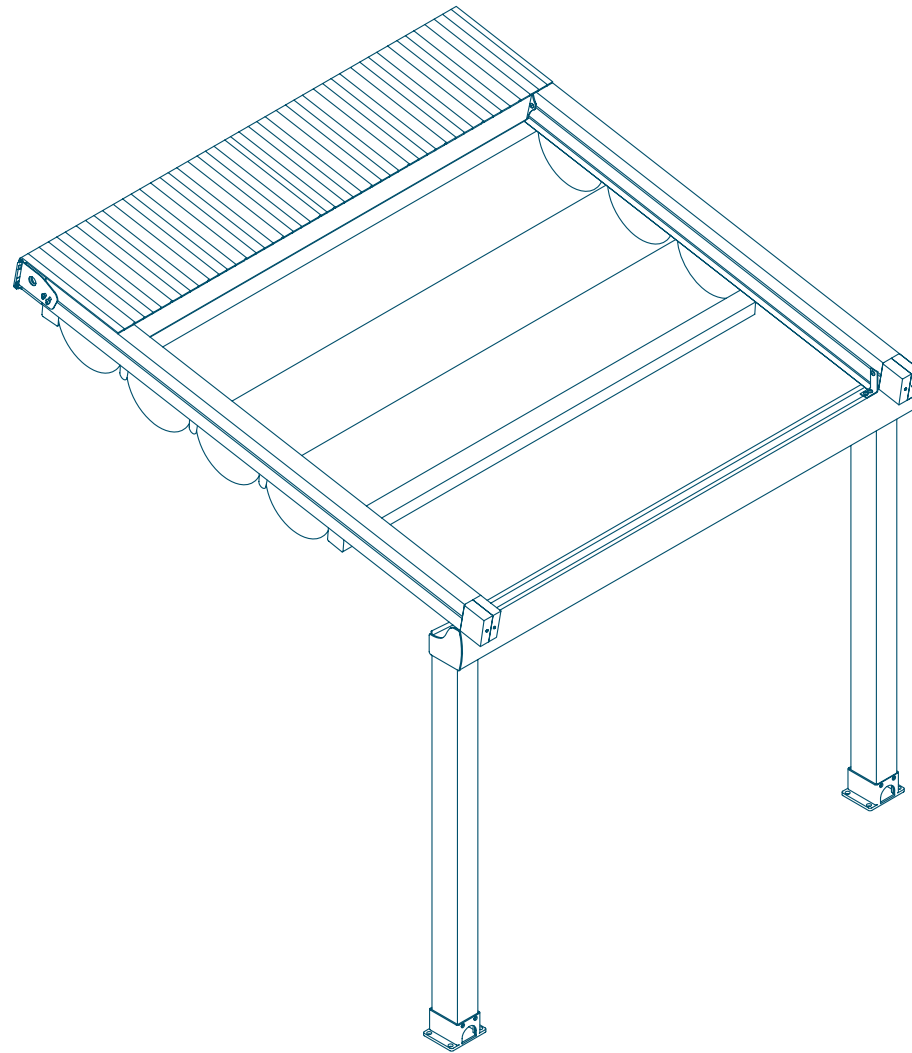


PERGOLAS | novo

**Novo** Pergolas provide the user with a designer outdoor covering to allow outdoor areas to be used all year round in any weather.

The system offers a wind rating up to Beaufort class 11 (up to 117km/h) and is designed to stand up to even the worst of conditions rain, hail or shine.

One step above the Eva Pergola, the Novo comes with a front gutter to collect water run-off as standard.

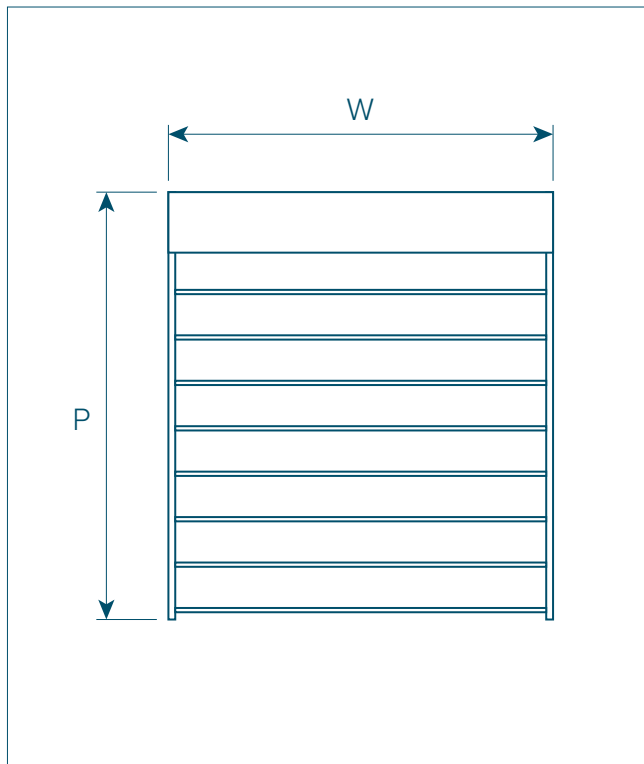
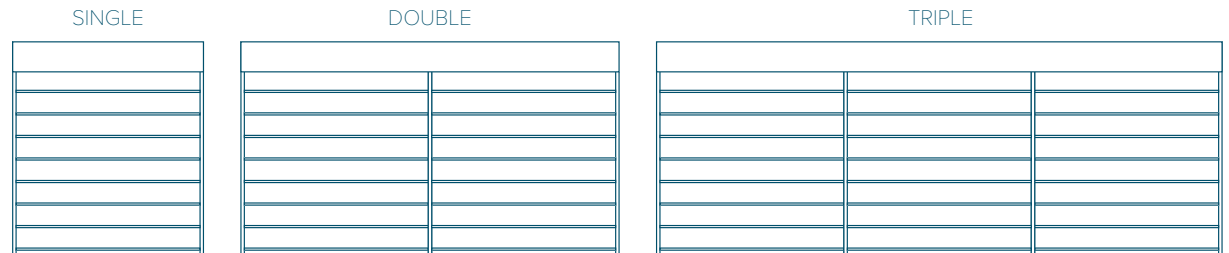




SINGLE MODULE	Max Width (W)	4.5m
	Max Projection (P)	7m

DOUBLE MODULE	Max Width (W)	9m
	Max Projection (P)	7m

TRIPLE MODULE	Max Width (W)	13m
	Max Projection (P)	7m



### Extras

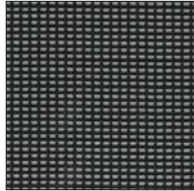




TRANSPARENT COVER SWITCHES



WHITE

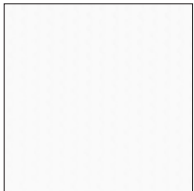


BLACK

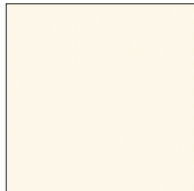
Don't see the colour you want? Please contact our team and we'll do our best to find a match.

**Please note:** colours shown are indicative only. For an exact match, please contact Breezefree and request a physical sample.

OPAQUE COVER SWITCHES



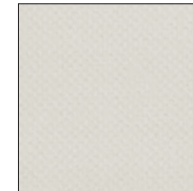
WHITE



CREAM

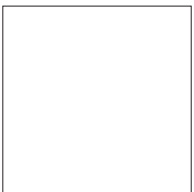


CAPPUCCINO



GREY

STANDARD ALUMINIUM FRAME SWITCHES



RAL 9016



RAL 9006

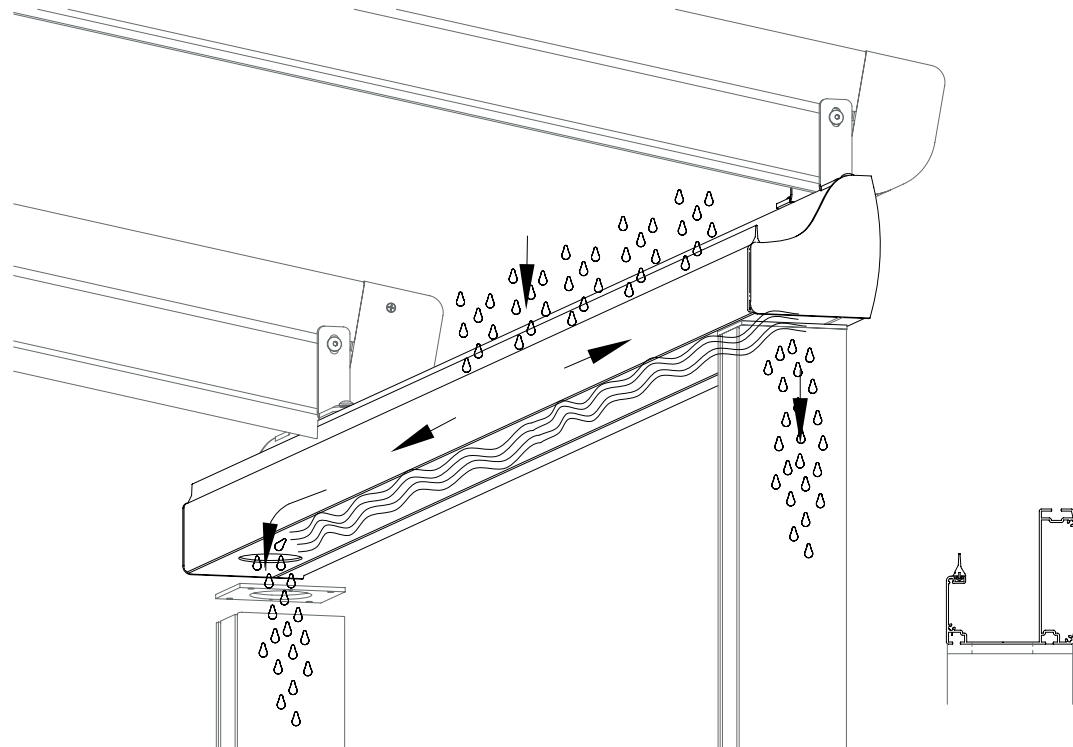


RAL 7016

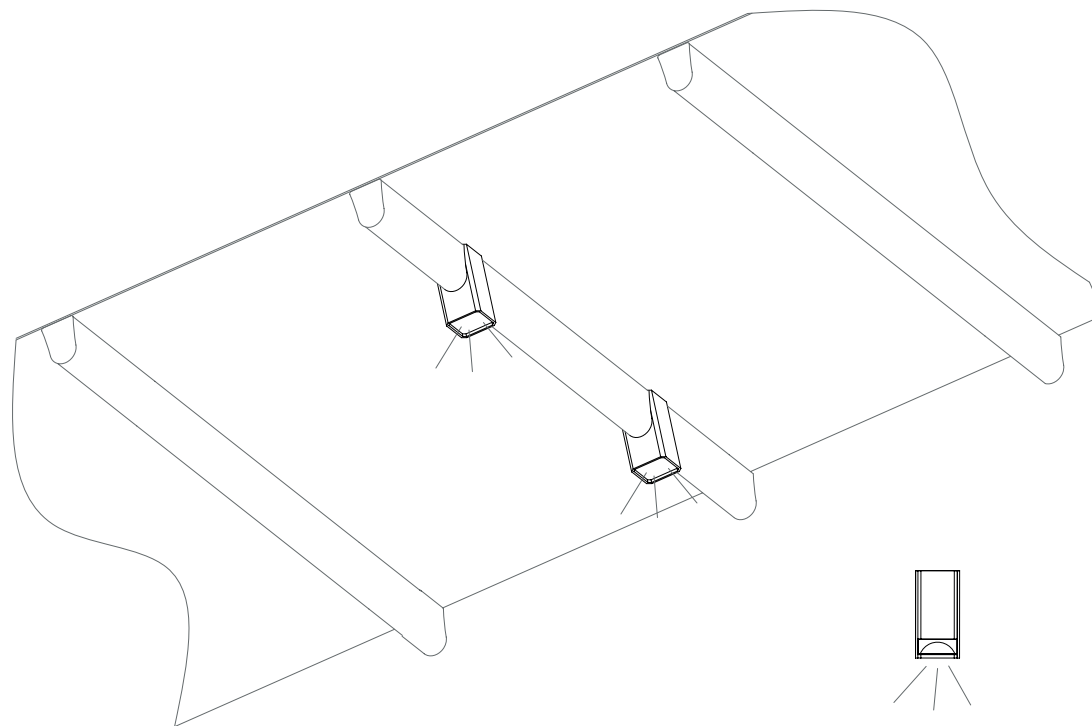


RAL 9005









\*OPTIONAL



Unit 7 Mitcham Industrial Estate  
Streatham Road  
Mitcham  
CR4 2AP

+44 (0)20 8877 3030 | [breezefree.com](http://breezefree.com)